

Pressure Relief Valve Up to 250 PSI

Product Number 30004033



⚠ WARNING

Read this instruction manual before use.

Using this device without understanding this products operation and care may lead to injury. If you do not understand how to use this device and do not receive proper training, do not use this product.

1.0 WARRANTY

- AWG Fittings LLC warrants to the original purchaser and all subsequent purchasers of the AWG Fittings LLC products that the product is free from defects in material and workmanship during a one (1) year period from the date of its sale by AWG Fittings LLC.
- AWG Fittings LLC's obligation under this warranty is specifically limited to replacing or repairing any product which is determined by AWG Fittings LLC's inspection to be in a defective condition attributed to AWG Fittings LLC's manufacture or design. If AWG Fittings LLC determines the product is defective, then AWG Fittings LLC will repair or replace the product during the warranty period. The purchaser or beneficiary must notify AWG Fittings LLC of any alleged defect within a reasonable time period.
- If AWG Fittings LLC determines that the product is defective, then it will replace the product, repair the product or refund the purchase price, at AWG Fittings LLC's election.
- This warranty is a LIMITED WARRANTY. The original purchaser of the product and any subsequent purchaser of the product and any person who is an intended or unintended beneficiary of the product shall not be entitled to recover from AWG Fittings LLC and consequential or incidental damages for injury to person and/or property resulting from any defective product manufactured or assembled by AWG Fittings LLC. It is agreed that the price stated and paid for the product is in part consideration for limiting AWG Fittings LLC's liability.
- This is a limited Expressed Warranty Only. AWG Fittings LLC EXPRESSLY DISCLAIMS WITH RESPECT TO THE PRODUCT ALL IMPLIED WARRANTIES OF **MERCHANTABILITY** AND ALL IMPLIED WARRANTIES OF **FITNESS FOR A PARTICULAR PURPOSE**.
- There are NO WARRANTIES of any nature made by AWG Fittings LLC beyond that stated in this Warranty

2.0 Safety and Cautions

Meaning of safety words

⚠ DANGER

Indicates an imminently hazardous situation which, if not avoided, will result in death or serious injury

⚠ WARNING

Indicates a potentially hazardous situation which, if not avoided, could result in death or serious injury.

⚠ CAUTION

Indicates a potentially hazardous situation which, if not avoided, may result in minor or moderate injury.

Safety and Cautions

⚠ DANGER

This equipment is to be used by trained firefighting personnel only. Failure to obtain proper training may result in severe injury or death.

⚠ DANGER

Do not exceed maximum operating pressure. Exceeding the maximum rated pressure for this appliance may cause malfunction, or failure resulting in severe injury or death.

⚠ DANGER

Failure of fittings and hoses can result in injury. Use caution not to exceed hose pressures as stated in NFPA 1961 for the type of hose being used.

⚠ DANGER

Make sure all connections are secure and complete. Failure to ensure proper connection may result in leaks or cause the devices to become disconnected under pressure resulting in injury or death.

⚠ DANGER

Open and close all valves slowly. Failure to operate valves slowly may cause water hammer, which may result in damage or failure of hose, coupling devices, and appliances leading to injury or death.

⚠ WARNING

Do not use if damaged. Damage to product may cause malfunction or failure. Remove from service until unit can be repaired.

⚠ WARNING

Check for damage or worn coupling connections. Damage or worn connections may become disconnected under pressure. Remove from service to be repaired by an AWG certified repair facility.

⚠ CAUTION

For use with fresh or salt water, with or without firefighting foam.

⚠ WARNING

Altering of this device may reduce its operating effectiveness, or safety. Do not alter or change in any way from its intended design.

3.0 Overview

Dimensions:

Height: 4.13" (105mm)
Length: 6.29" (160mm)
Depth: 4.30" (110mm)
Weight: 5.7 lbs (2.6kg)

Construction:

Aluminum body with
anodized aluminum internal
piston

Operating pressures:

Adjustable from 75 PSI up to 250
PSI.

Friction Loss:

Not calculated for this
device.

4.0 Operation

Setting the PRV.

⚠ WARNING

Incorrectly setting the pressure relief valve may result in the valve opening to soon and creating inadequate water flow or to late resulting in over pressurizing the hose line or appliance. Be sure to test your setting before placing the unit in service.

⚠ DANGER

If the relief valve operates continually, fails to operate or water leaks slowly through the relief valve during use, remove from service until valve can be cleaned, or repaired at an AWG repair facility, and the pressure reset.

⚠ DANGER

Inspect for damage or malfunctioning parts. If appliance is damaged or not functioning as it should repair or remove from service until repairs can be made at an AWG certified repair facility. There are no field serviceable parts.

⚠ WARNING

Altering of this device may reduce its operating effectiveness, or safety. Do not alter or change in any way from its intended design

4.0 Operation

This Pressure Relief Valve has a hex type adjustment screw in the center of the top dial.

The top dial is in a step configuration and each step is labeled with a number from 75 PSI to 250 PSI in 25 PSI increments.

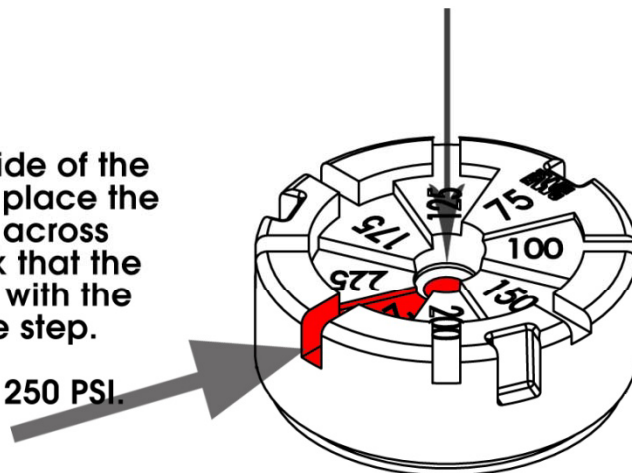
To adjust the operating pressure of the relief valve, turn the adjustment screw until the top of the adjustment screw is level with the corresponding pressure step.

i.e.: If you wish to set the relief valve at an operating pressure exceeding 250 PSI, then turn the hex screw until the top of the screw is level with the 250 step.

The slots on the side of the PRV allow you to place the allen wrench flat across the step to check that the set screw is level with the selected pressure step.

i.e.: PRV is set for 250 PSI.

Center setting screw.



WARNING

After setting your desired pressure, test your settings prior to placing the unit in service.

DANGER

Make sure all personnel are clear of the appliance when testing your settings. Over pressurizing the hose lines and appliances may lead to malfunction or failure of the appliance or connections, which may lead to injury or death.

5.0 Care and Maintenance

⚠ WARNING

Keep the pressure relief valve clear of obstructions. This may cause the relief valve to operate prematurely or fail to operate.

⚠ WARNING

If the relief valve appears to be damaged, remove the appliance it is installed to from service until the relief valve can be repaired or replaced by an AWG certified repair facility.

⚠ DANGER

The relief valve has no field serviceable parts. Never try to repair this relief valve unless you are a certified repair person. Improper repair could result in serious injury and or death.

⚠ WARNING

All working parts are contained inside the body of the relief valve. The port opening on the relief valve body should be kept clear of dirt and debris.

⚠ WARNING

When operating the relief valve will discharge water at high pressure. Caution must be exercised to keep all persons away from the relief valve discharge.

The relief valve should be exercised every six months to keep the internal components clean and to make sure all parts are working properly.

Adjust the set screw to the lowest available setting, 75 PSI. Attach a water supply line to the appliance the valve is attached to and slowly fill the supply line with water and bleed off any trapped air.

⚠ WARNING

Keep personnel clear of the valve and slowly increase the pressure to 75 PSI. Check for water flow from the relief valve.

If water is not flowing from the relief valve, slowly increase the pressure to 85 PSI. Check for water flow from the relief valve. The relief valve should open and discharge water from the PRV.

Allow water to flow freely from the valve to remove dirt and debris.

⚠ WARNING

If no water is flowing from the relief valve, the relief valve will need service at an AWG Fittings, LLC facility.

5.0 Care and Maintenance

⚠ WARNING

If the relief valve operated properly at the low pressure setting, test again to the high pressure setting.

⚠ WARNING

Adjust the set screw to the highest available setting, 250 PSI. Attach a water supply line to the appliance the valve is attached to and slowly fill the supply line with water and bleed off any trapped air.

⚠ DANGER

Keep personnel clear of the valve and slowly increase the pressure to 250 PSI. Check for water flow from the relief valve.

⚠ WARNING

If water is not flowing from the relief valve, slowly increase the pressure to 260 PSI. Check for water flow from the relief valve. The relief valve should open and discharge water from the PRV.

Allow water to flow freely from the valve to remove dirt and debris.

⚠ WARNING

If no water is flowing from the relief valve, the relief valve will need service at an AWG Fittings, LLC facility.

⚠ WARNING

After exercising the relief valve, shut down the water supply. Reset the relief valve to the desired setting and test the setting to make sure it was reset correctly.

⚠ WARNING

If the relief valve fails to open when pressure rises above the set level the relief valve should be returned to AWG Fittings, LLC for service.

6.0 Parts list

