

HARRINGTON STORZ SPECIFICATION SHEET

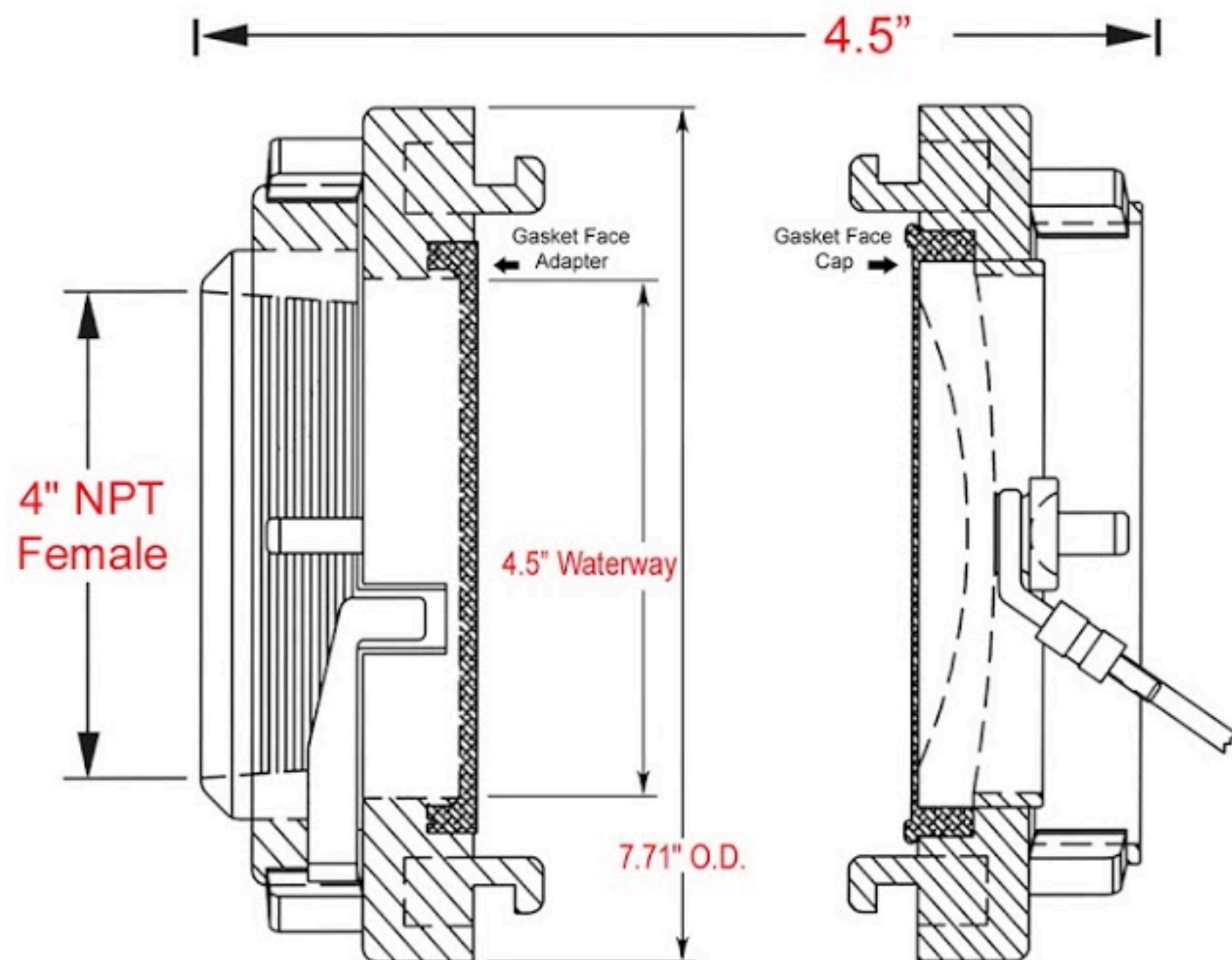
HSFR50-40NPT/Cap

All Aluminum

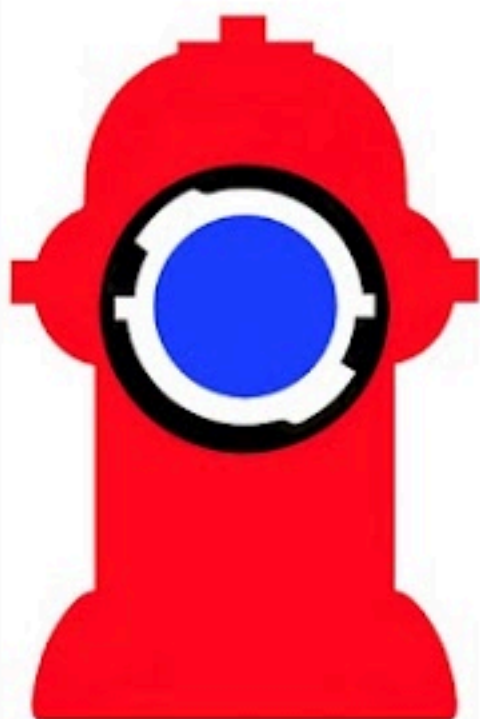
- **4" NPT FEMALE**
- **5" STORZ** with Storz-Lok
- **5" STORZ CAP**

attached with SS Aircraft Cable

- **Hard Anodized 6061-T6 Storz & NPT**
- **250 psi working pressure**



Specify **HARRINGTON STORZ: HSFR50-40NPT/Cap**



Harrington, Inc.
2630 W. 21st St.
Erie, PA 16506

Ph. 800-553-0078
daveh@harrinc.com



HSFR50-40NPT/Cap

4" NPT Female x 5" Storz with Storz Cap attached
with stainless steel aircraft cable

Date: 01/25/21

Weight: 8 lbs.

Specification / Data Sheet

Not to scale

DB: DTH

Sheet 1 of 1

NPT