

# HARRINGTON STORZ SPECIFICATION SHEET

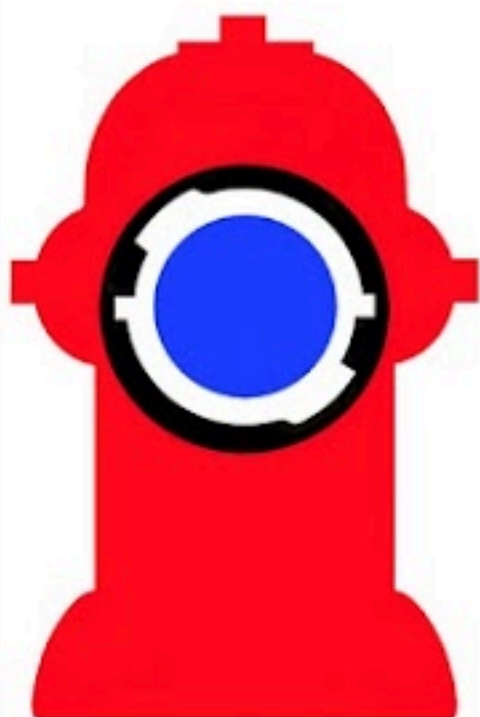
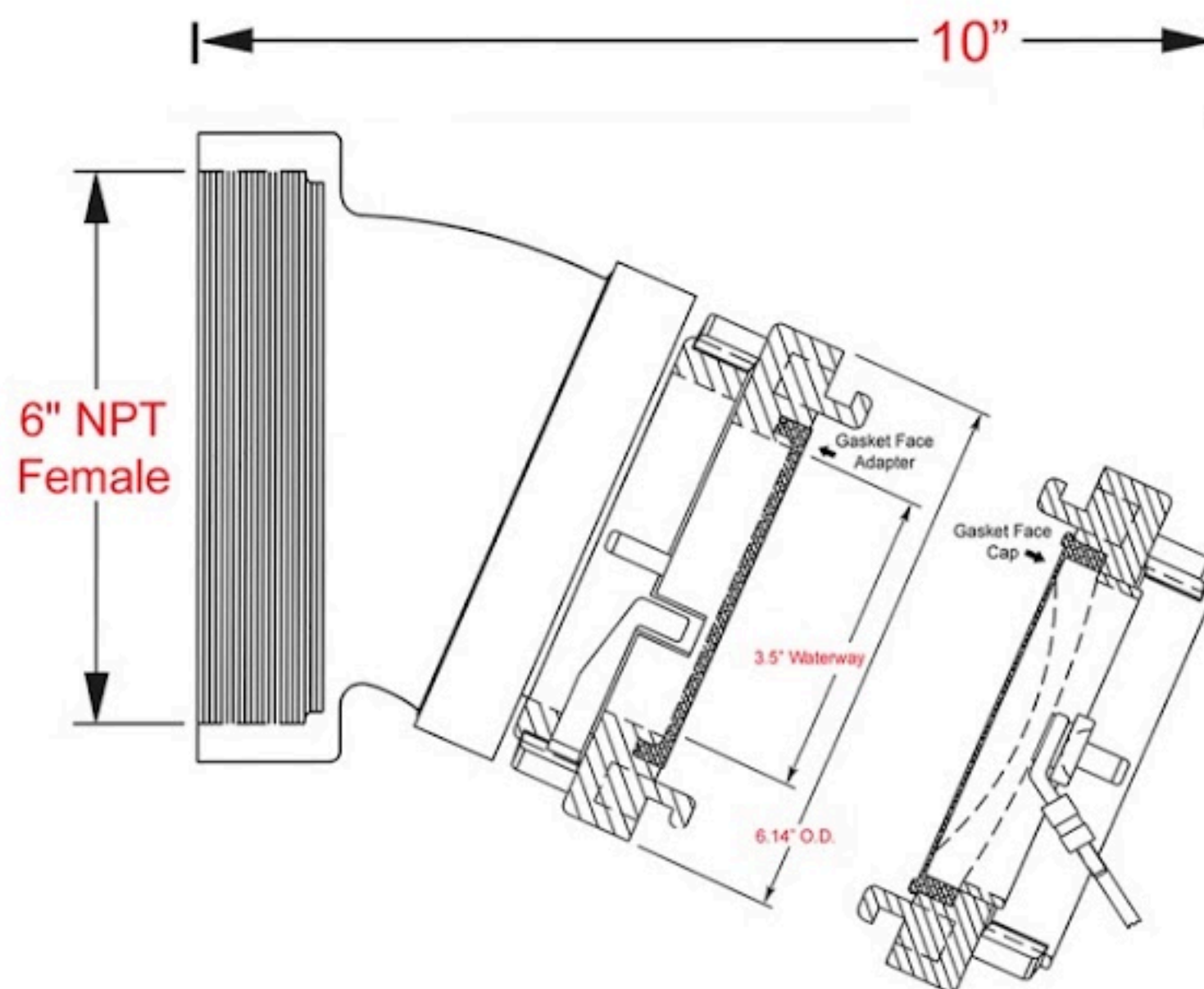
## H30E-40-60NPT/Cap

All Aluminum

- **30° ELBOW, 6" NPT FEMALE**
- **4" STORZ** with Storz-Lok
- **4" STORZ CAP** attached with SS Aircraft Cable

- **Hard Anodized 6061-T6 Storz**
- **Hard Anodized & Powder Coated 356 Elbow**
- **250 psi working pressure**

Specify **HARRINGTON STORZ: H30E-40-60NPT/Cap**



Harrington, Inc.  
2630 W. 21st St.  
Erie, PA 16506

Ph. 800-553-0078  
daveh@harrinc.com



## H30E-40-60NPT/Cap

Elbow 30°, 6" NPT FEMALE x 4" STORZ  
with 4" Storz Cap with stainless steel aircraft cable

Date: 01/25/21

Weight: 9 lbs.

Specification / Data Sheet

Not to scale

DB: DTH

Sheet 1 of 1

30° NPT