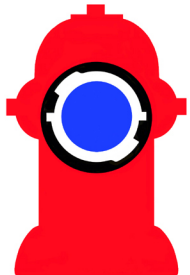
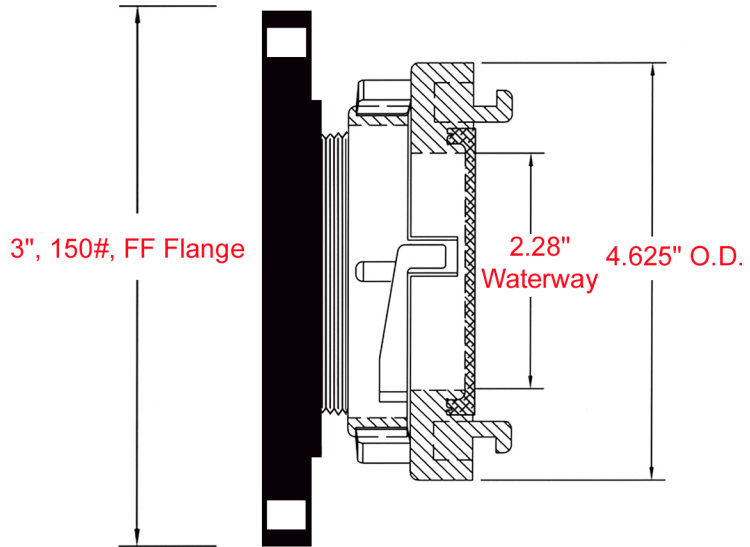


HFL-FF-30-25ST

Carbon Steel 150# Flange
- 3"
- Flat Face

Aluminum Storz
- 2.5" Storz



Harrington, Inc.
2630 W. 21st St.
Erie, PA 16506

Ph. 800-553-0078
fax. 814-838-7339
daveh@harrinc.com

DWG No.: HFL-FF-30-25ST

Description: 3" Flat Face, 150# Flange x 2.5" Storz

Date: 04/08/10

DB: DTH

Rev.: 00

Scale: NTS

Sheet 1 of 1