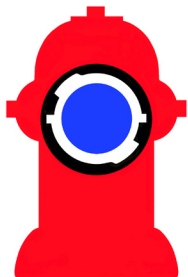
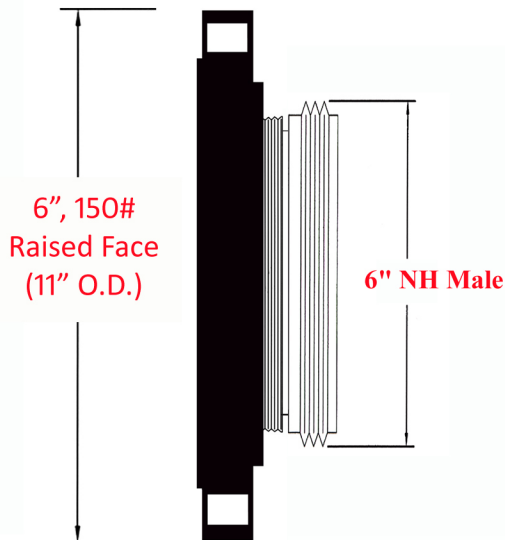


HFL-RF-60-60NHM

Carbon Steel 150# Flange
- 6" x 6" NPT female
- Raised Face

6061-T6 Aluminum connector
- 6" NPT male x 6" NH male
- Hard Anodized



Harrington, Inc.
2630 W. 21st St.
Erie, PA 16506

Ph. 800-553-0078
fax. 814-838-7339
daveh@harrinc.com

DWG No.: **HFL-RF-60-60NHM**

Description: 6" Raised Face, 150# Flange x
6" NH male

Date: 2/6/14

DB: DTH

Rev.: 00

Scale: NTS

Sheet 1 of 1