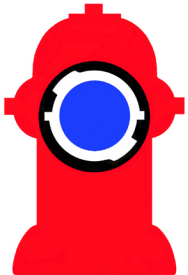
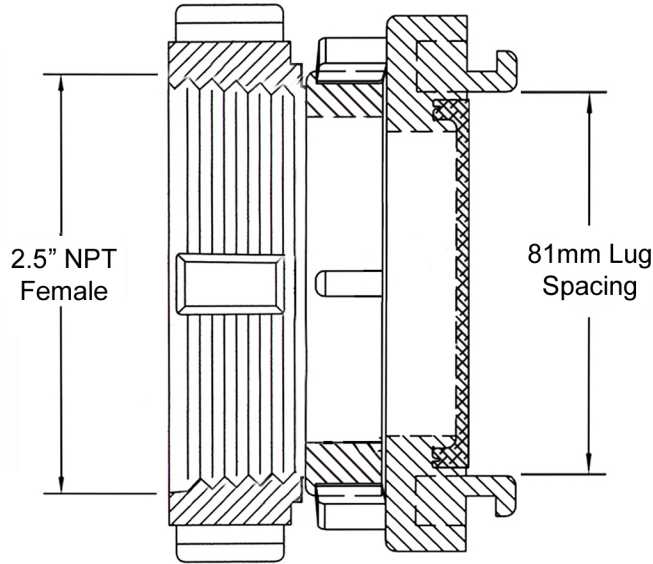


HSFR25-25NPT

ALL ALUMINUM

- 2.5" NPT female rigid
- 2.5" Storz with gasket



Harrington, Inc.
2630 W. 21st St.
Erie, PA 16506

Ph. 800-553-0078
fax. 814-838-7339
daveh@harrinc.com

DWG No.: **HSFR25-25NPT**

Description: 2.5" Storz x 2.5" NPT female rigid

Date: 02/21/17

DB: DTH

Rev.: 00

Scale: NTS

Sheet 1 of 1