

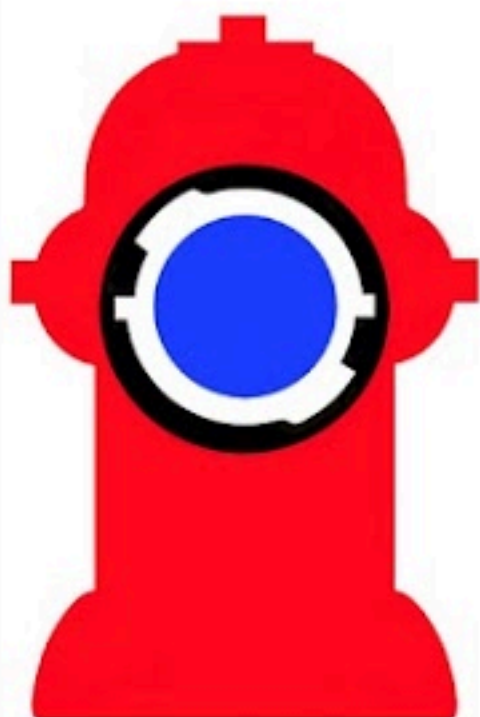
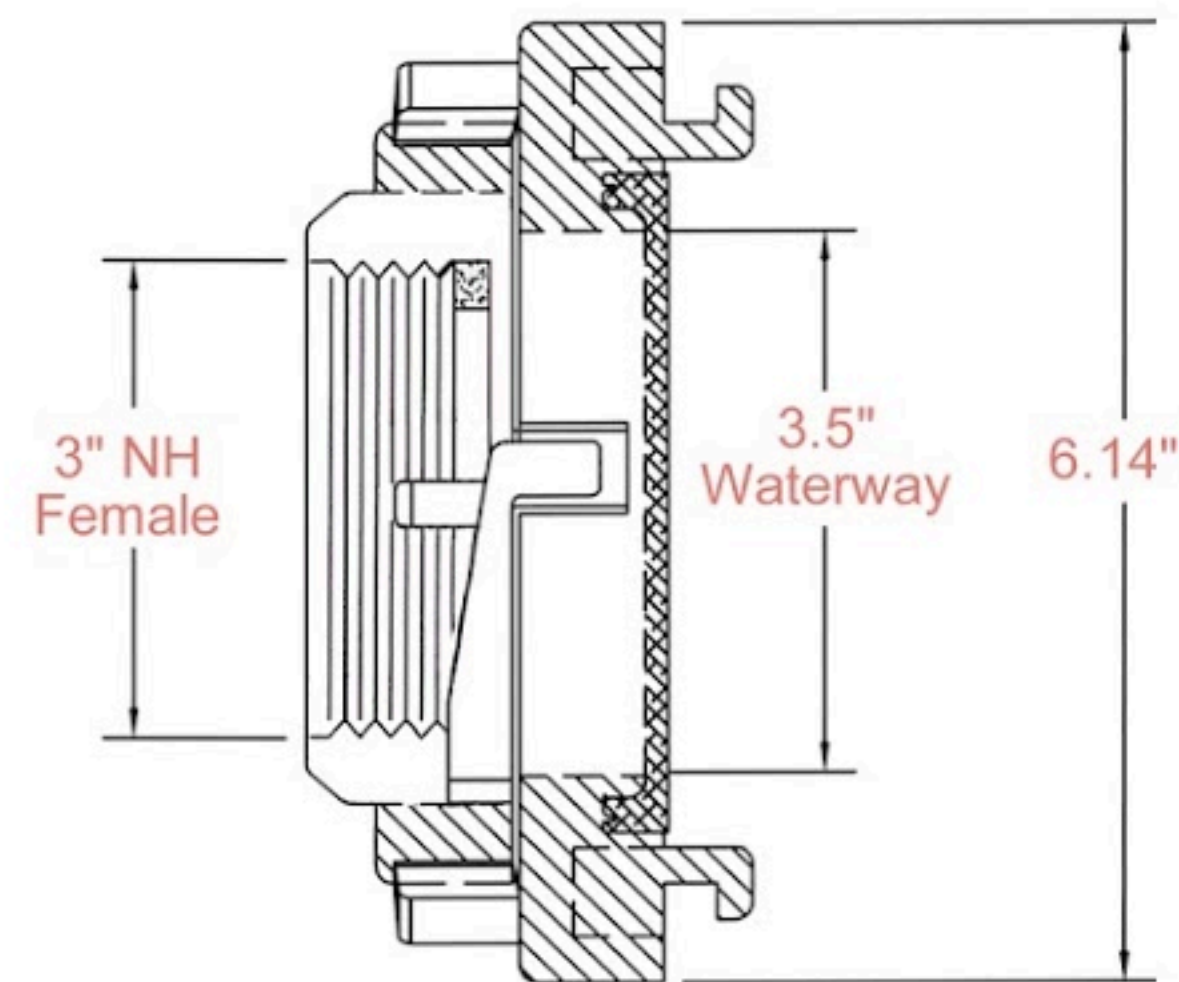
# HSFR40-30NH

All Aluminum

- **3" NH (NST) FEMALE RIGID**
- **4" STORZ** with Storz-Lok

- **Hard Anodized 6061-T6 Storz & NH**
- **250 psi working pressure**

Specify **HARRINGTON STORZ: HSFR40-30NH**



Harrington, Inc.  
2630 W. 21st St.  
Erie, PA 16506

Ph. 800-553-0078  
daveh@harrinc.com



## HSFR40-30NH

3" NH Female Rigid x 4" Storz with Storz-Lok

Date: 01/25/21

Weight: 2.4 lbs.

Specification / Data Sheet

Not to scale

DB: DTH

Sheet 1 of 1

NH