

# HARRINGTON STORZ SPECIFICATION SHEET

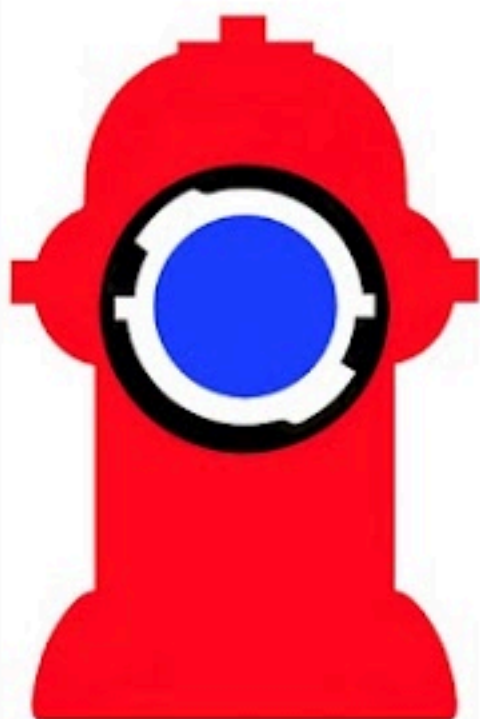
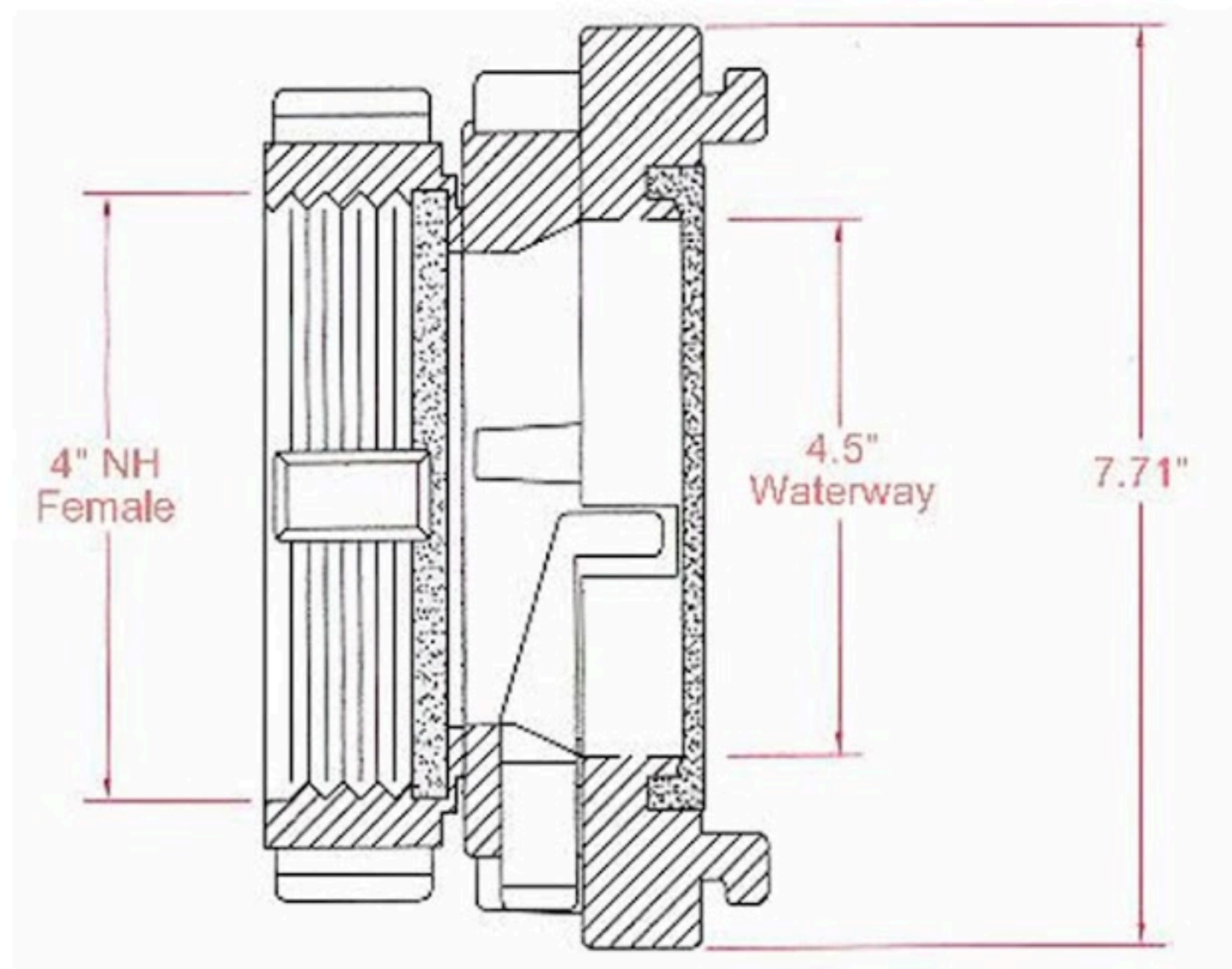
## HSFR50-40NH

All Aluminum

- **4" NH (NST) FEMALE RIGID** with Rocker Lugs
- **5" STORZ** with Storz-Lok

- **Hard Anodized 6061-T6 Storz & NH**
- **250 psi working pressure**

Specify **HARRINGTON STORZ: HSFR50-40NH**



Harrington, Inc.  
2630 W. 21st St.  
Erie, PA 16506

Ph. 800-553-0078  
daveh@harrinc.com



## HSFR50-40NH

4" NH Female Rigid x 5" Storz with Storz-Lok

Date: 01/25/21

Weight: 5.5 lbs.

Specification / Data Sheet

Not to scale

DB: DTH

Sheet 1 of 1

NH