

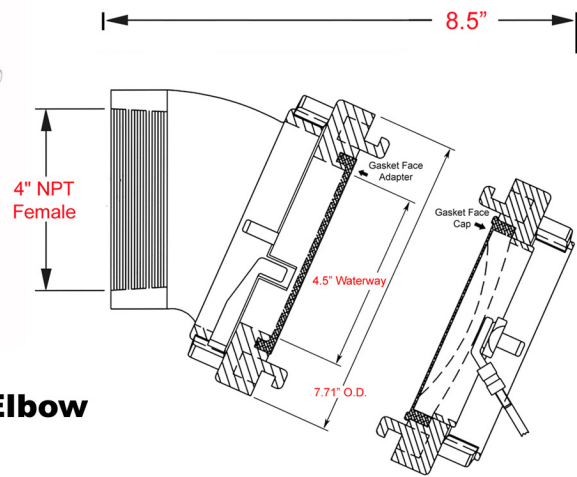
# H30E-50-40NPT/Cap

All Aluminum

- 30° ELBOW, 4" NPT FEMALE
- 5" STORZ with Storz-Lok
- 5" STORZ CAP attached with SS Aircraft Cable

- Hard Anodized 6061-T6 Aluminum Storz
- Hard Anodized & Powder Coated 356 Aluminum Elbow
- 250 psi working pressure


Specify HARRINGTON STORZ: H30E-50-40NPT/Cap



2630 West 21st Street  
Erie, PA 16506

ph. 800-553-0078  
info@harrinc.com



<h2>H30E-50-40NPT/Cap</h2>		
Elbow 30°, 4" NPT Female x 5" Storz with Storz Cap attached with stainless steel aircraft cable		
Date: 01/01/23	Weight: 9 lbs.	Specification / Data Sheet
Not to scale	 <b>NFPA 1963 COMPLIANT</b>	30° NPT