

HARRINGTON STORZ SPECIFICATION SHEET

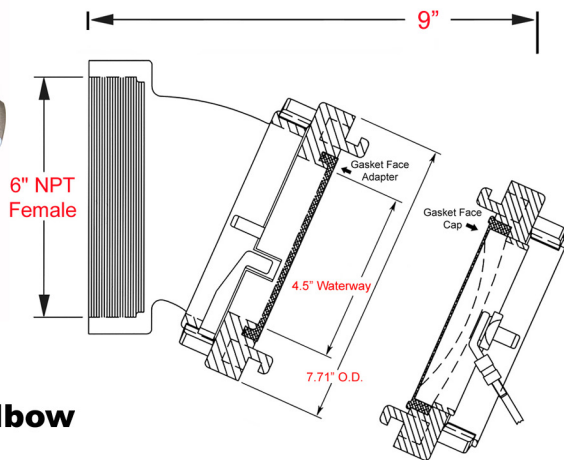
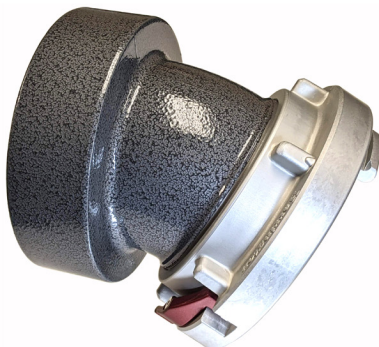
H30E-50-60NPT/Cap

All Aluminum

- **30° ELBOW, 6" NPT FEMALE**
- **5" STORZ** with Storz-Lok
- **5" STORZ CAP** attached with SS Aircraft Cable

- **Hard Anodized 6061-T6 Aluminum Storz**
- **Hard Anodized & Powder Coated 356 Aluminum Elbow**
- **250 psi working pressure**


Specify HARRINGTON STORZ: H30E-50-60NPT/Cap



2630 West 21st Street
Erie, PA 16506

ph. 800-553-0078
info@harrinc.com



<h3>H30E-50-60NPT/Cap</h3>		
Elbow 30°, 6" NPT FEMALE x 5" STORZ with 5" Storz Cap with stainless steel aircraft cable		
Date: 01/01/23	Weight: 11 lbs.	Specification / Data Sheet
Not to scale	 NFPA 1963 COMPLIANT	30° NPT