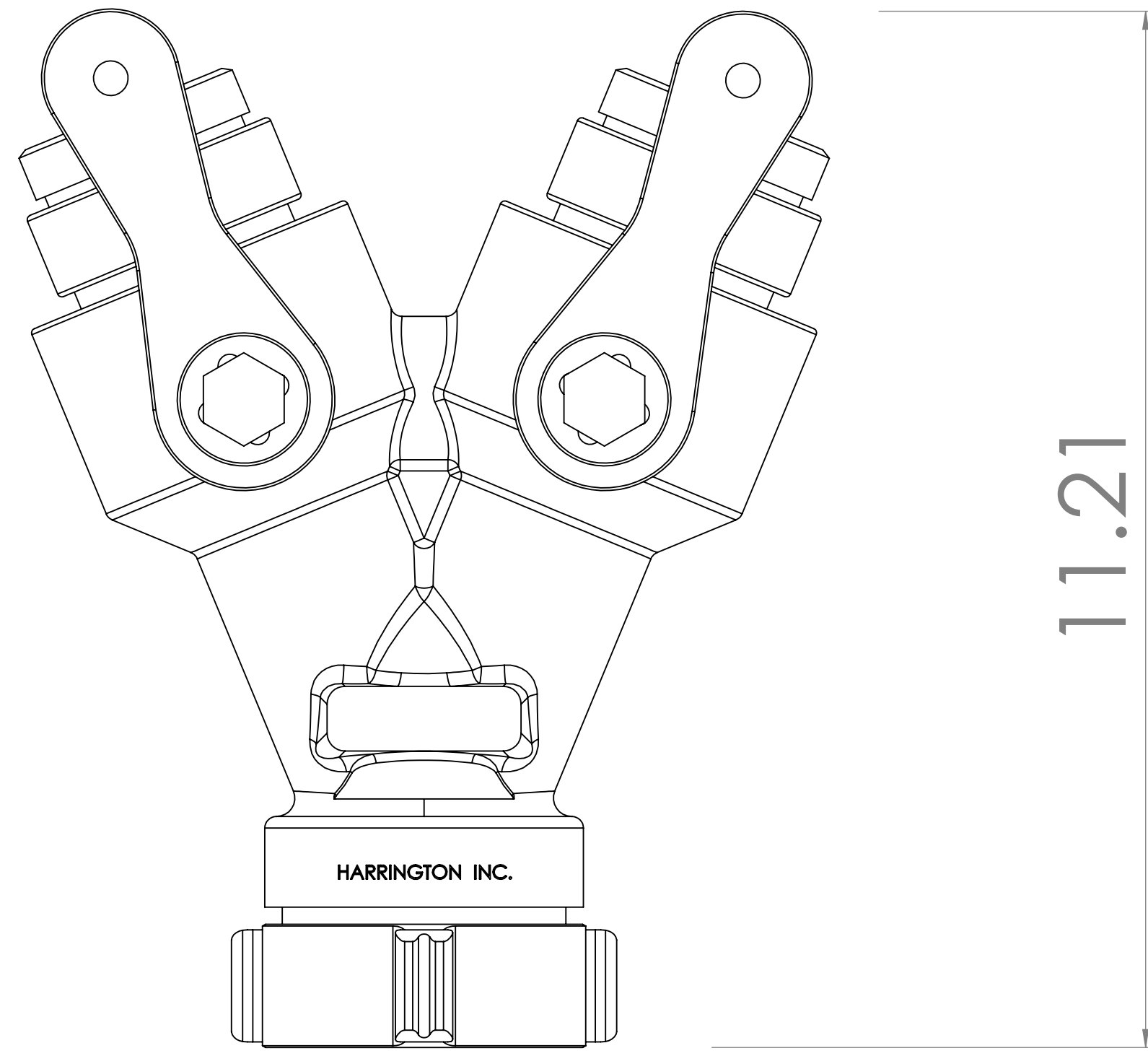
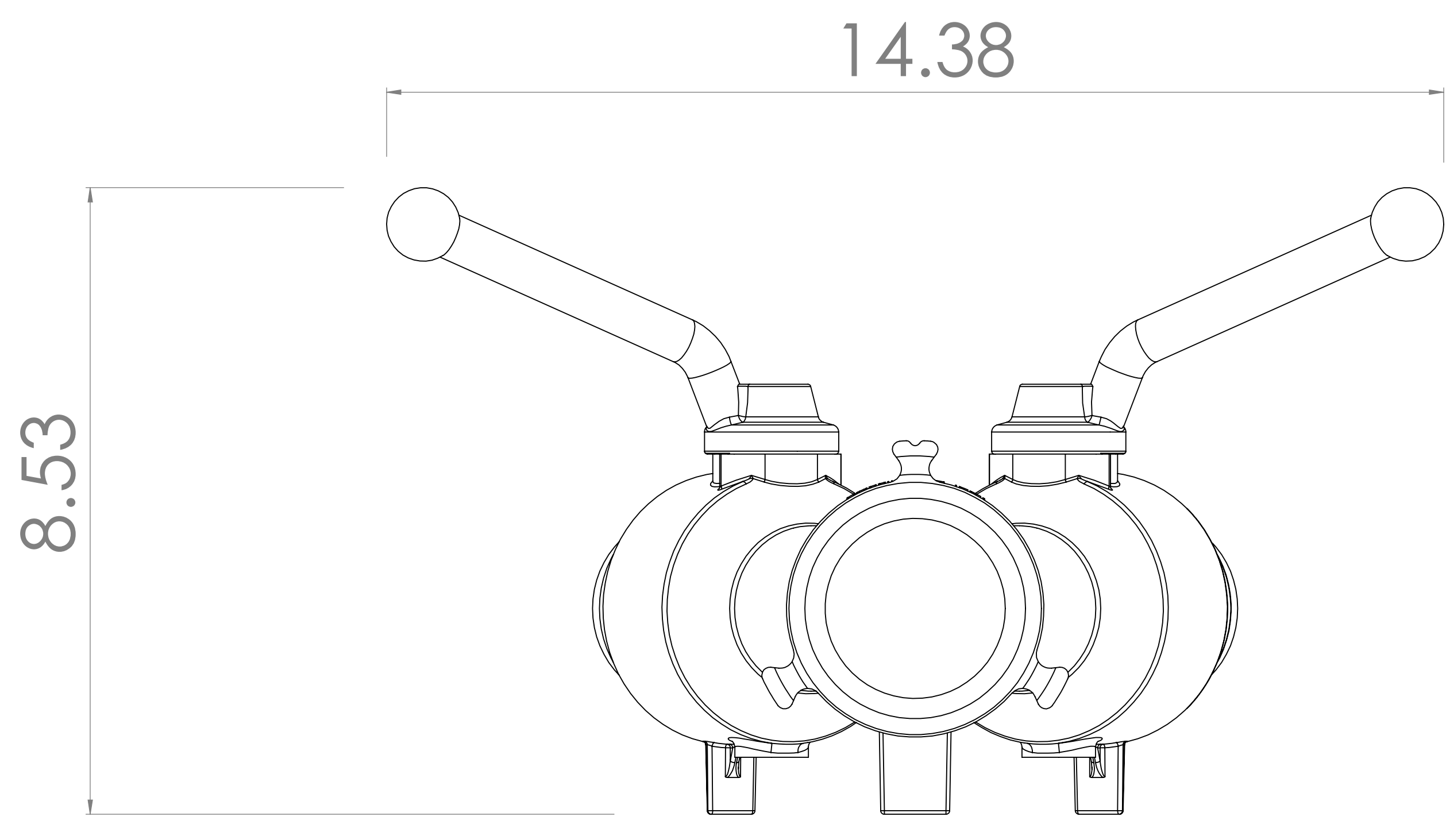
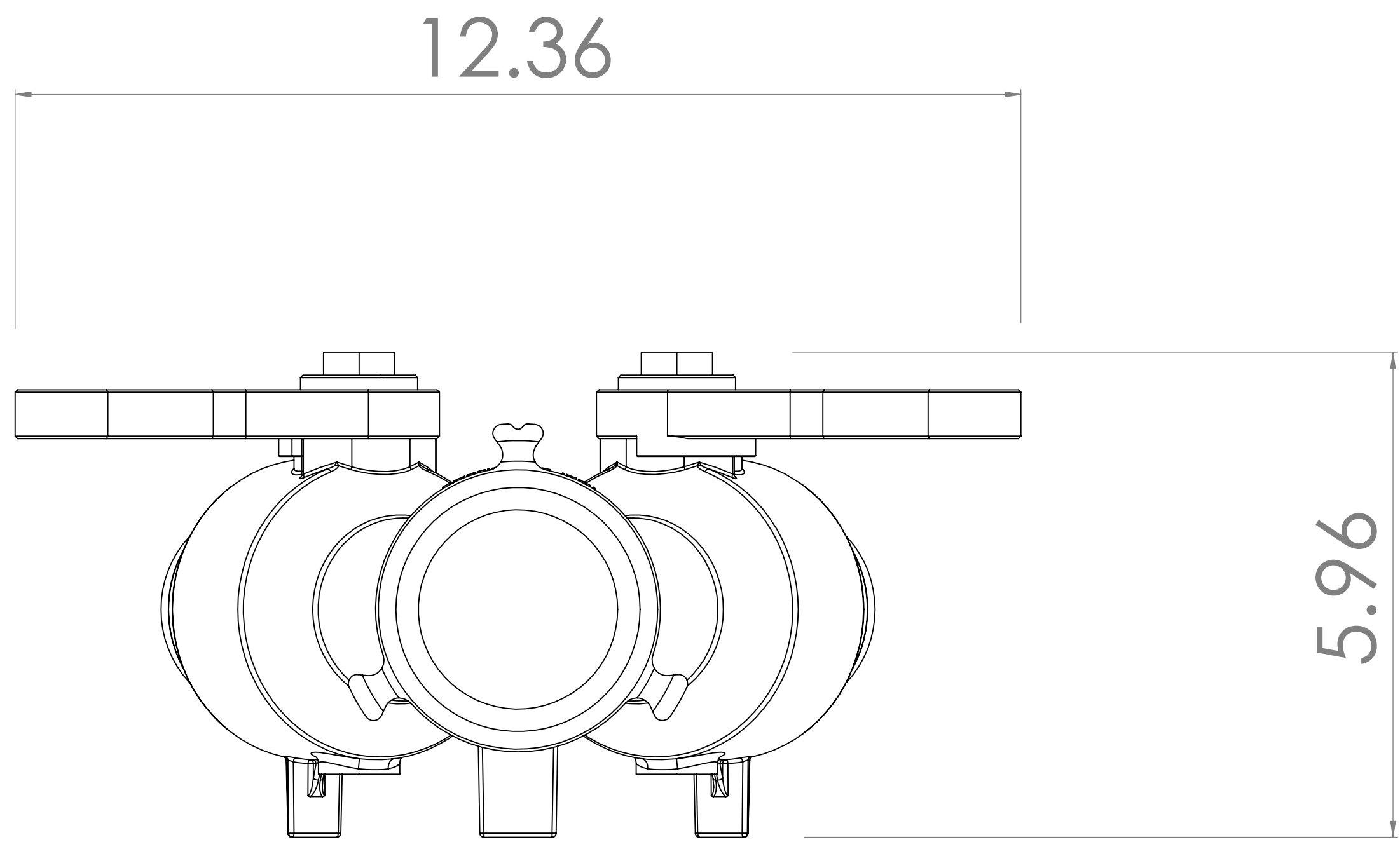
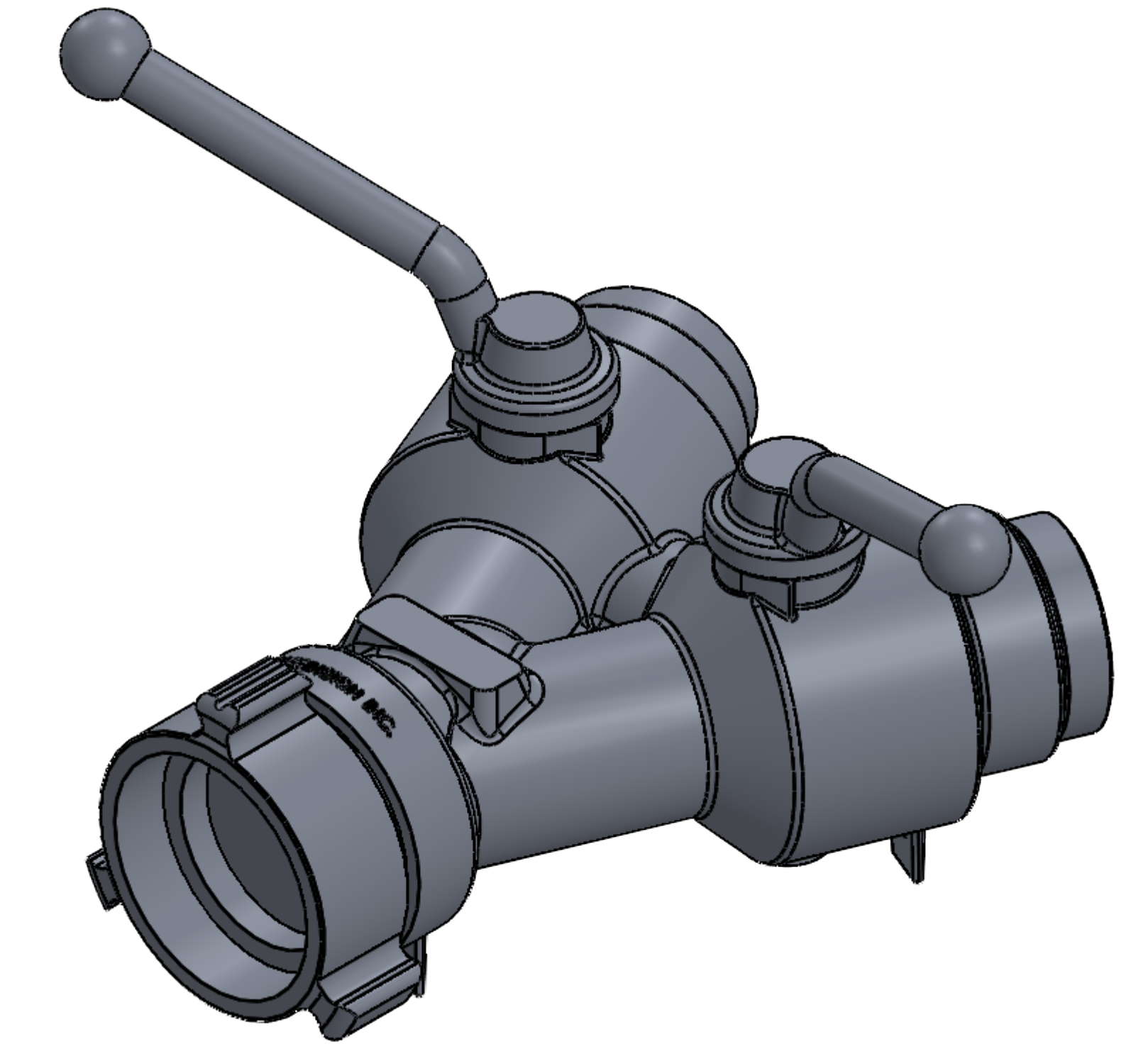
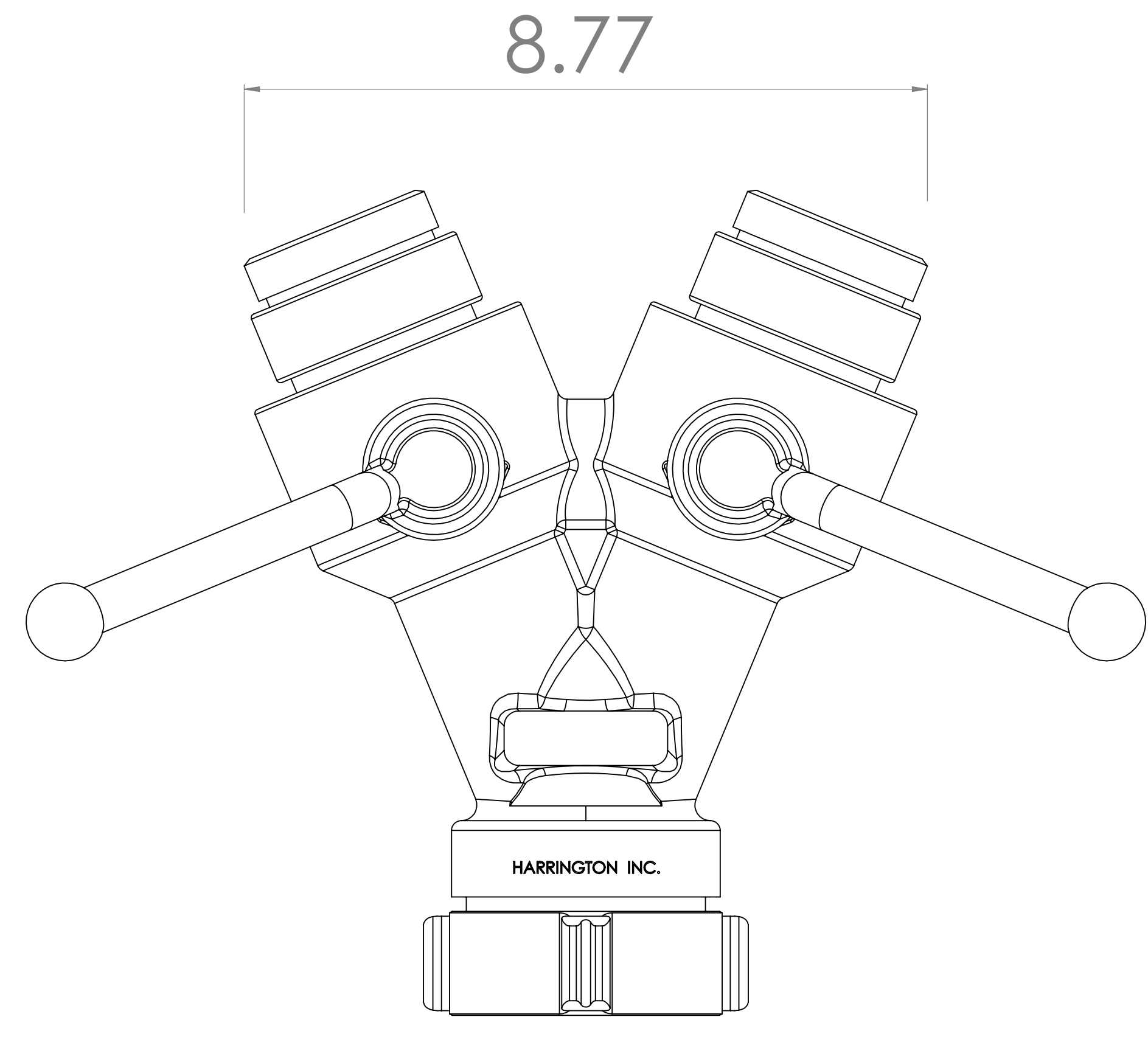
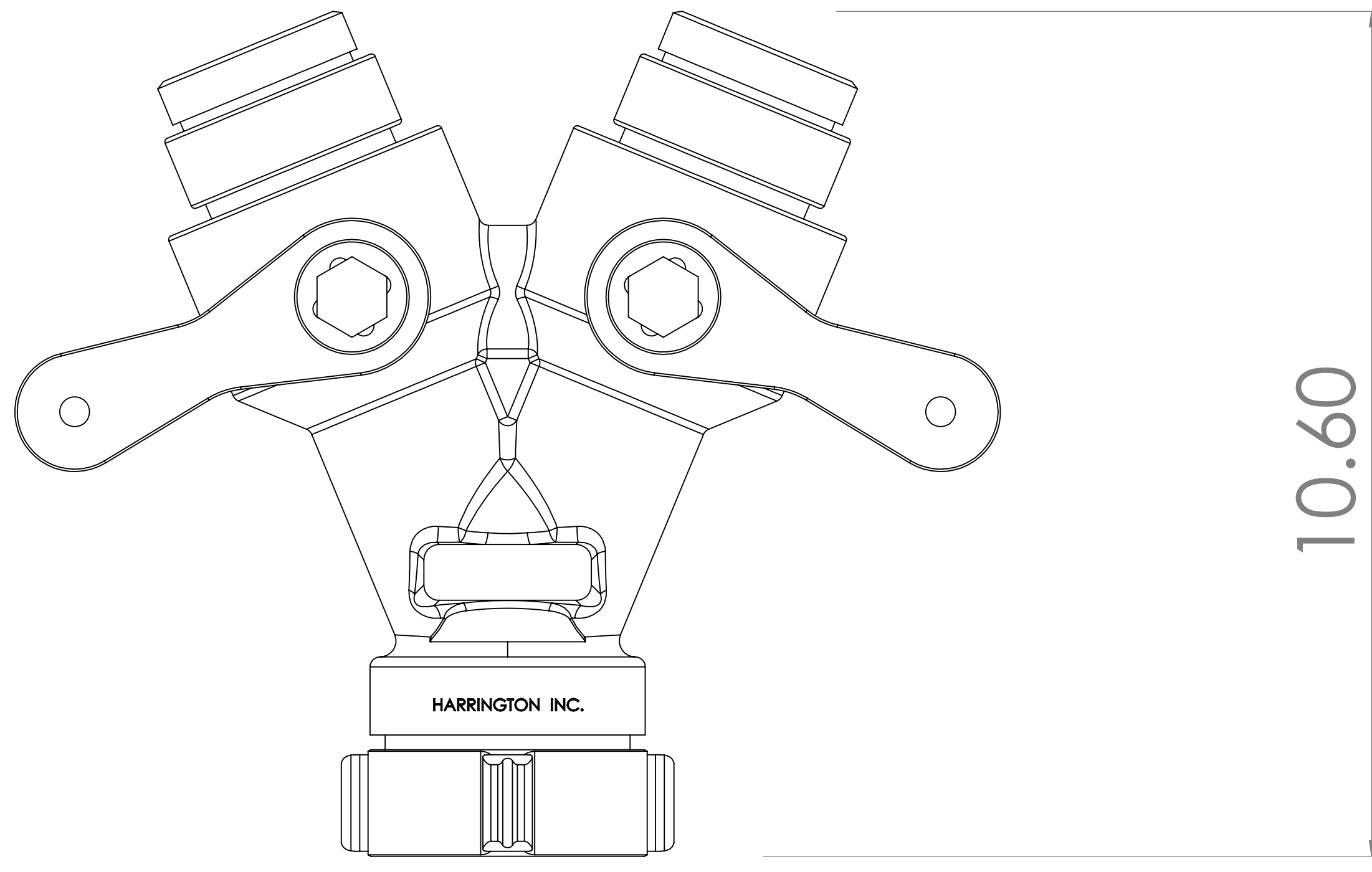
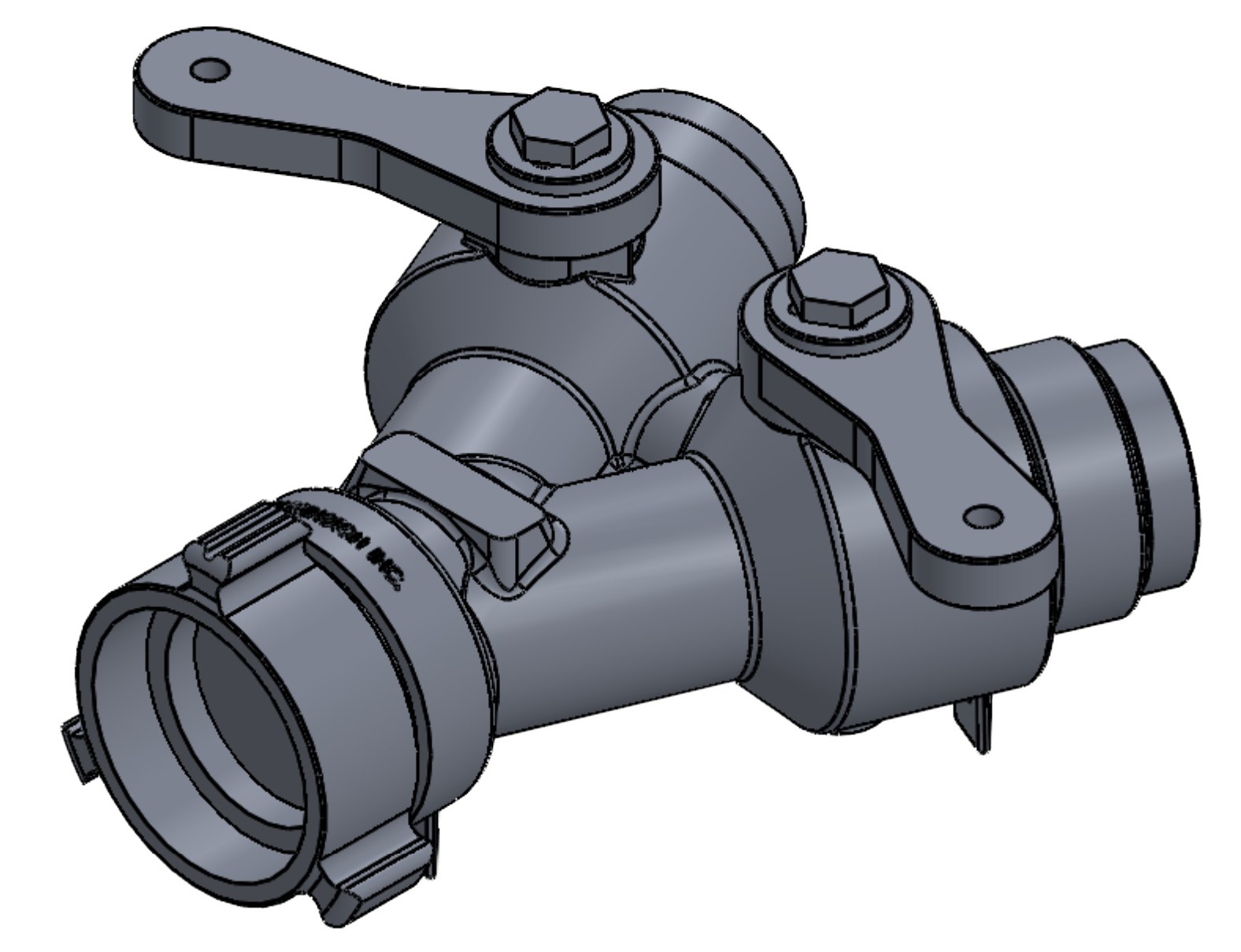
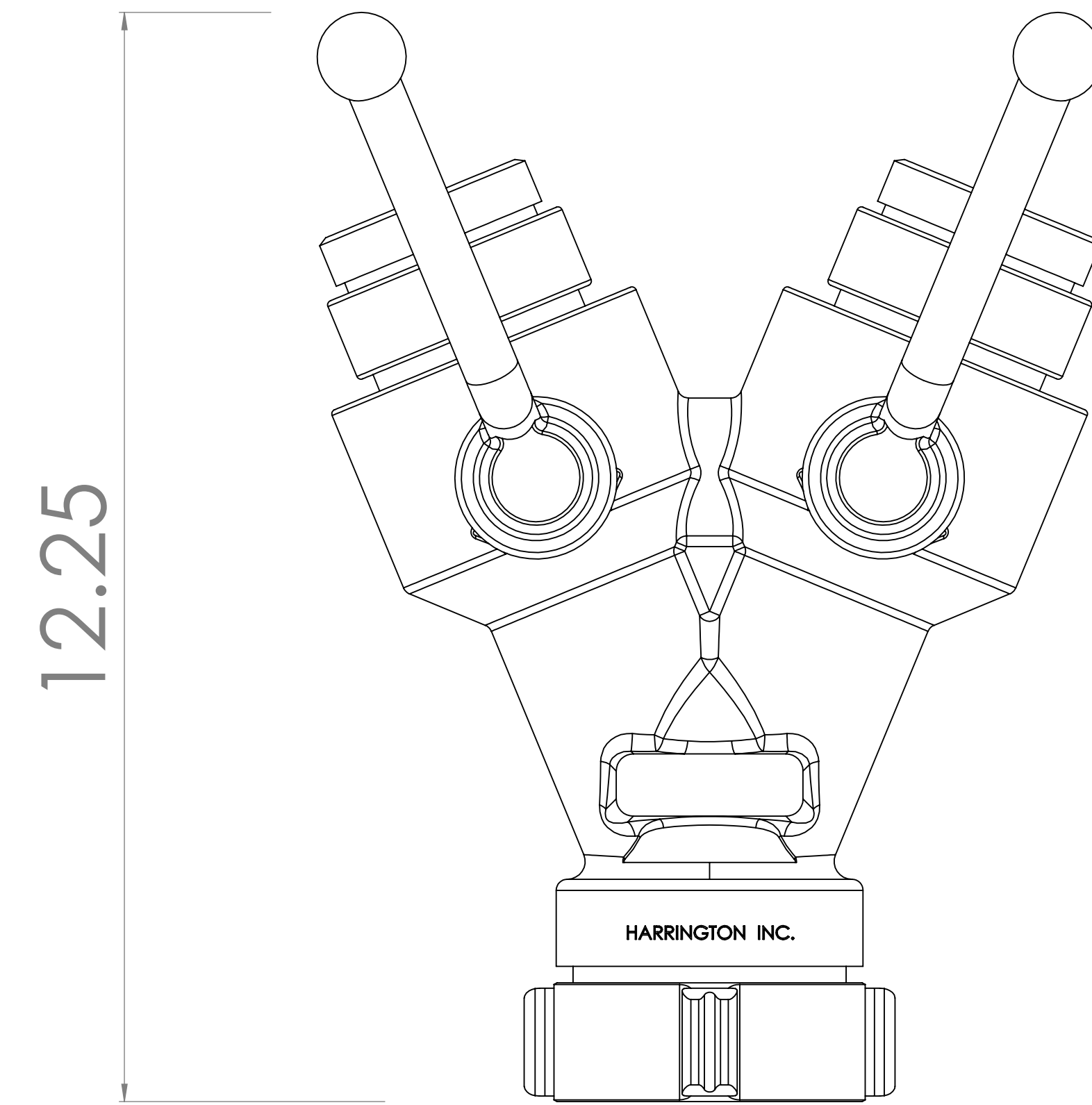


**H201
SHOWN WITH
HIGH RISE HANDLES**



**H201
SHOWN WITH
STANDARD HANDLES**



DO NOT SCALE DRAWING		REVISION
HARRINGTON INC. 1 400-533-0078 2603 W 21ST AVE, PA 16801		
TITLE: H201 VALVES STANDARD AND HIGH RISE HANDLES		
DWG NO:	H201-	A0
DATE:	10-17-23	
SCALE:	1:1	
SHEET:	3	OF 3