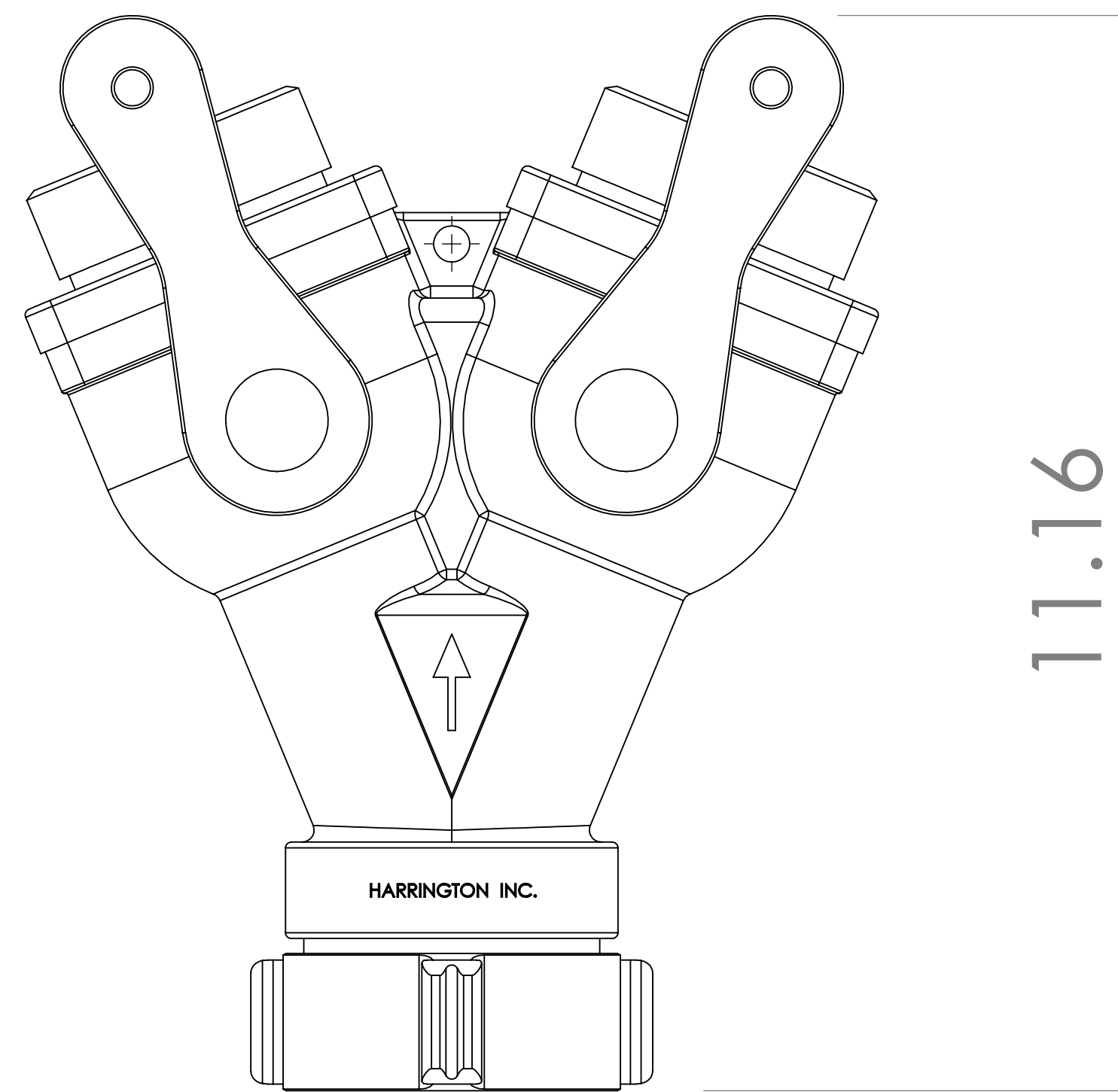
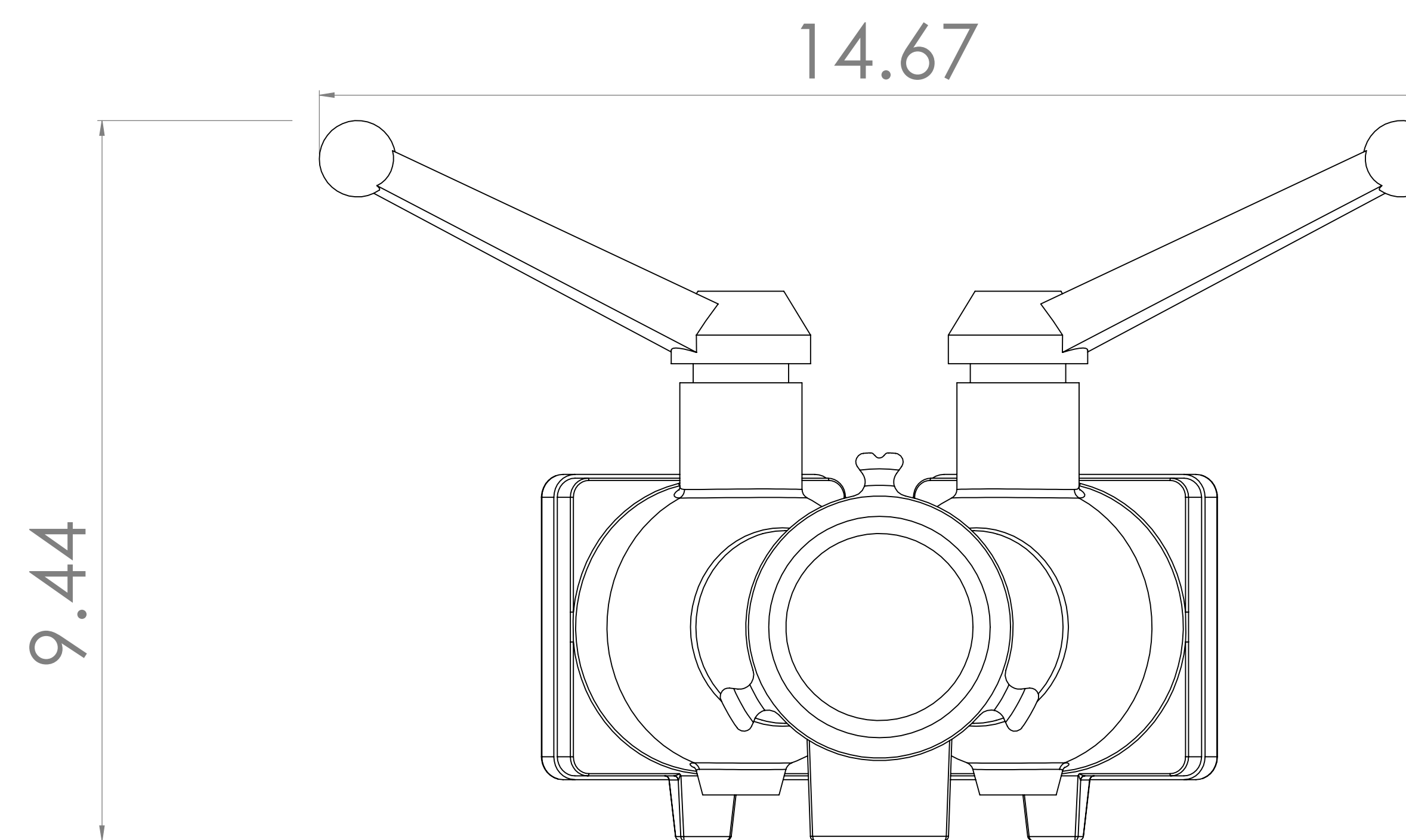
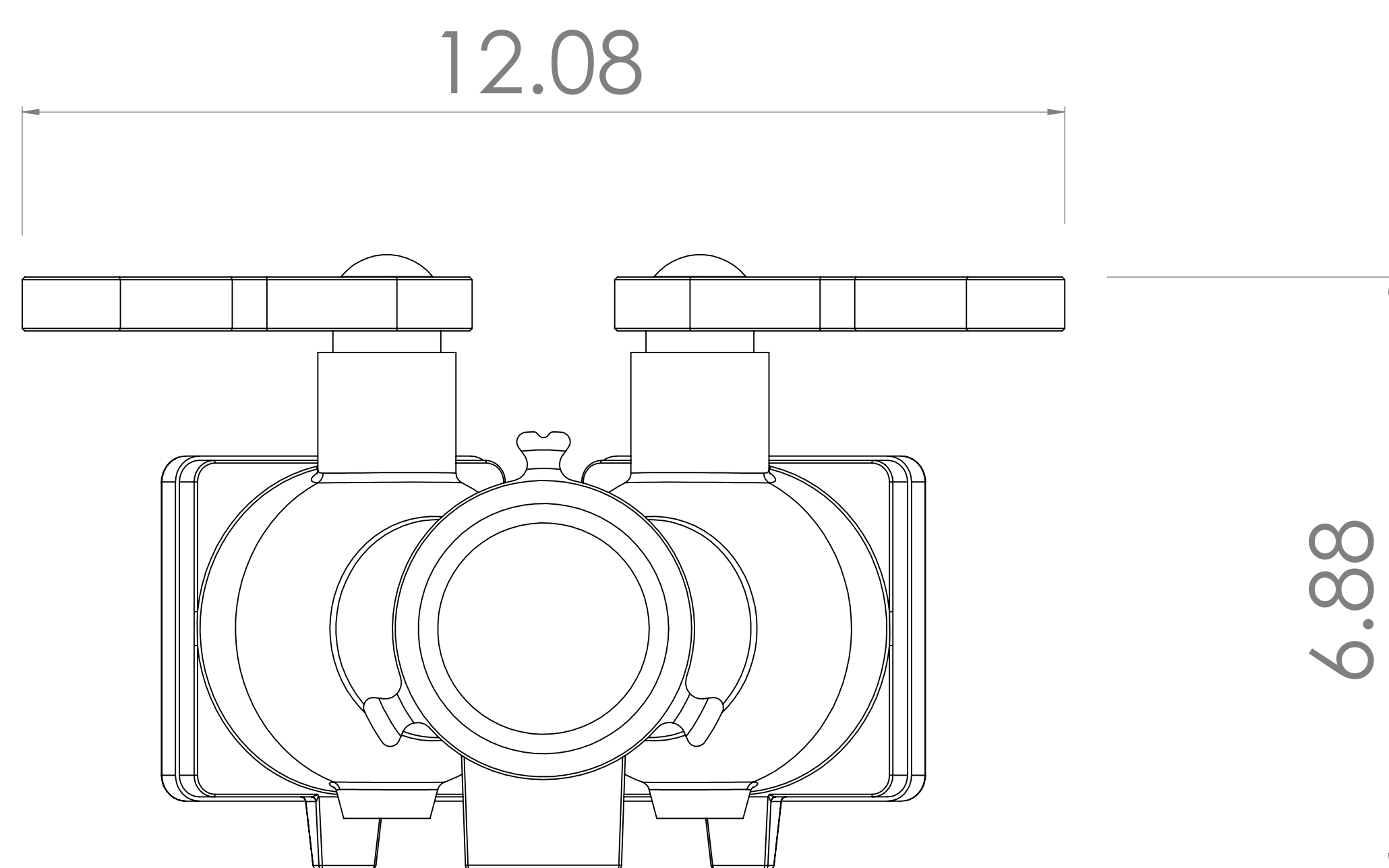
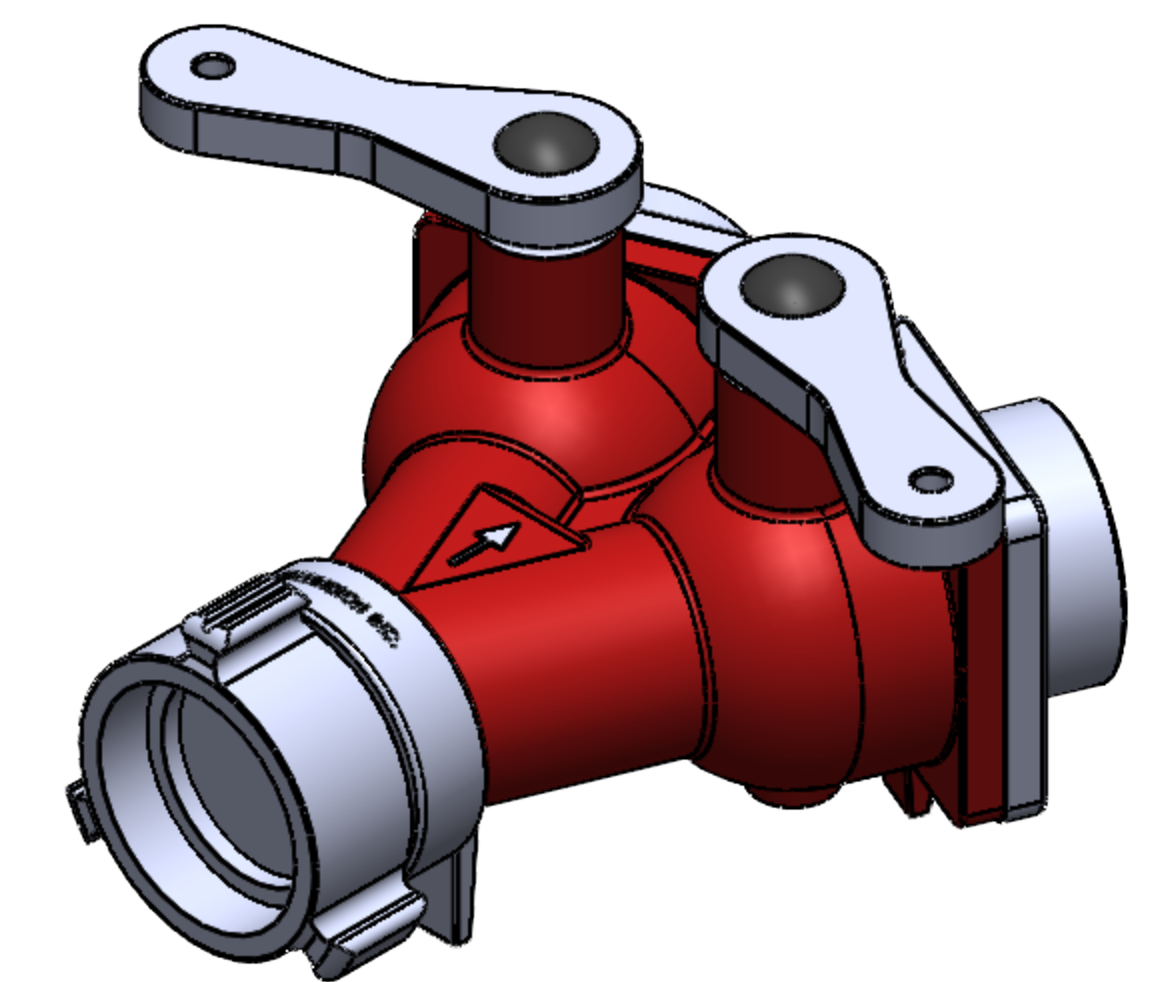
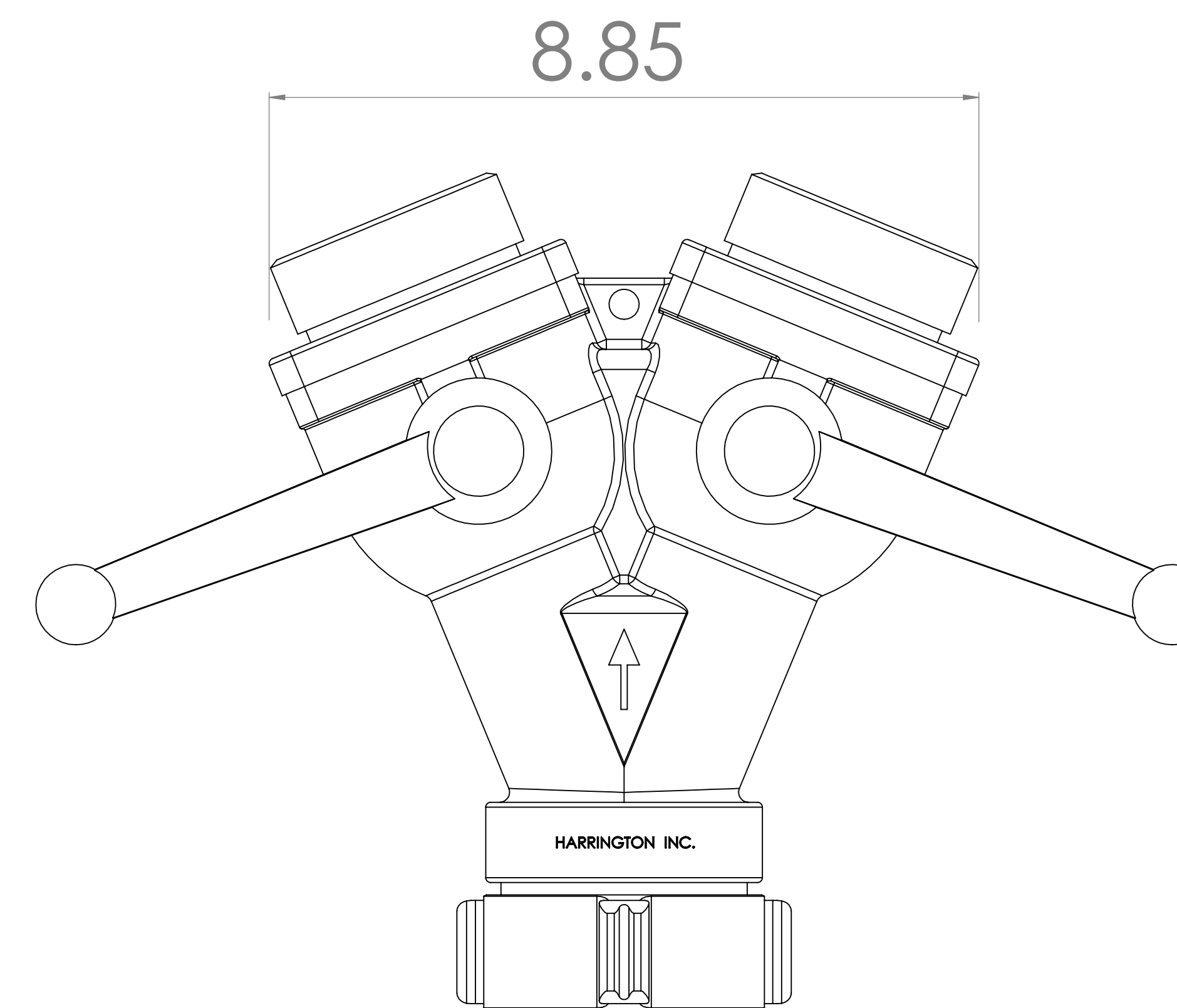
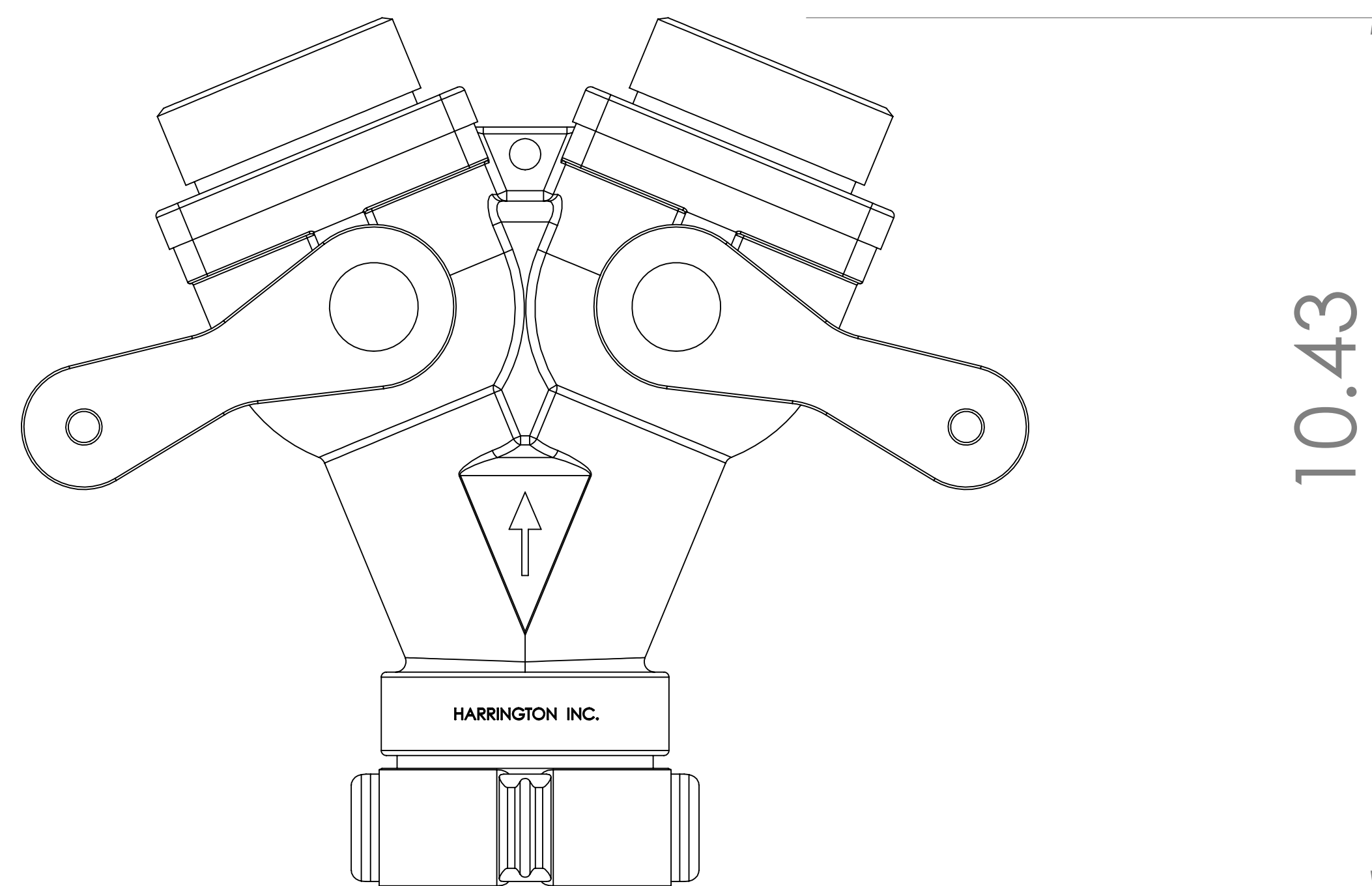
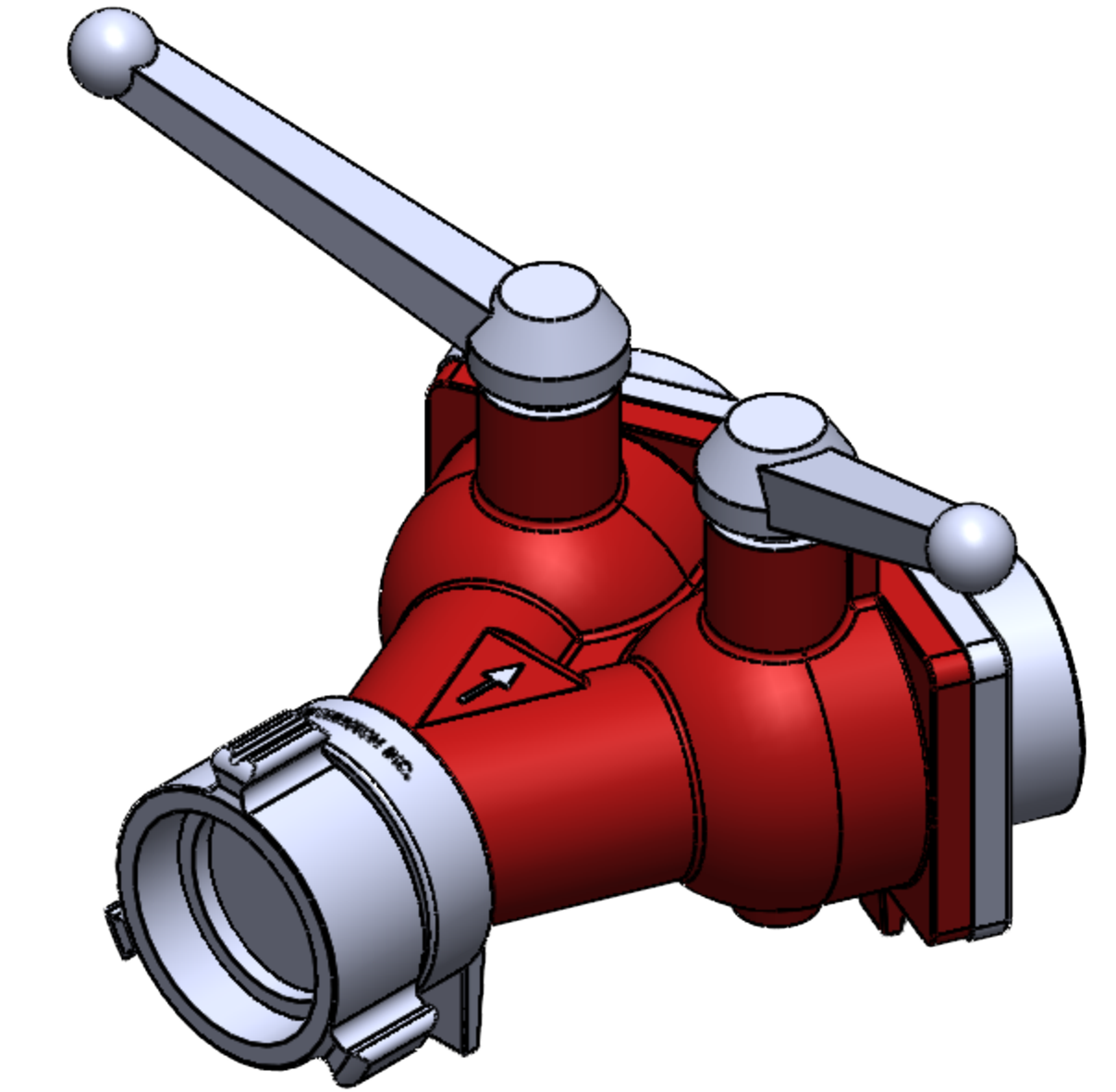
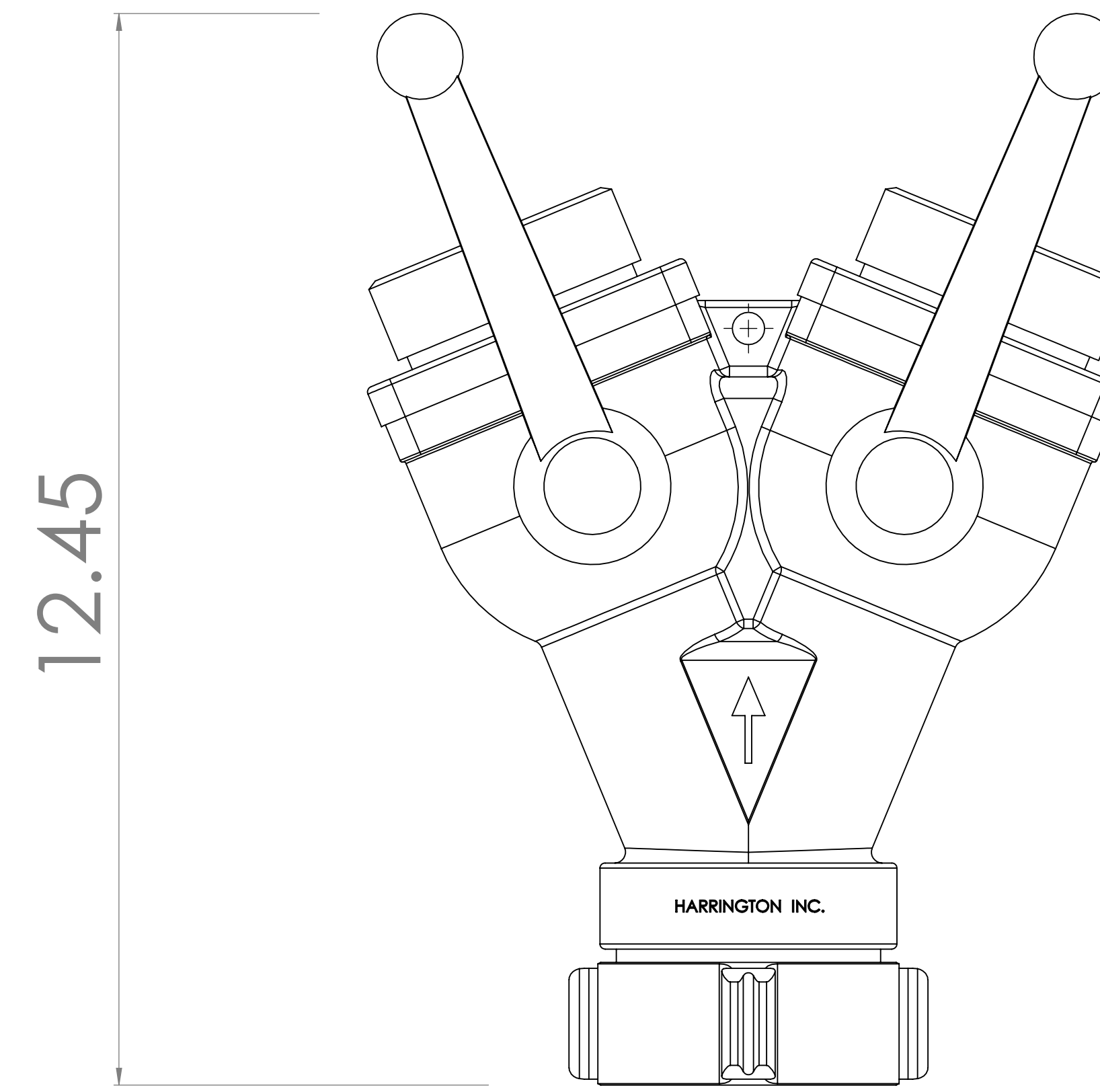


**H202
SHOWN WITH
HIGH RISE HANDLES**



**H202
SHOWN WITH
STANDARD HANDLES**



DO NOT SCALE DRAWING		REVISION
HARRINGTON INC. 1 400-533-0078 2403 W 21ST AVE, PA 14084		
TITLE: H202 VALVES STANDARD & HIGH RISE HANDLES		
DWG NO:	H202-	A0
DATE:	10-10-23	
SCALE:	1:1	SHEET 1 OF 1