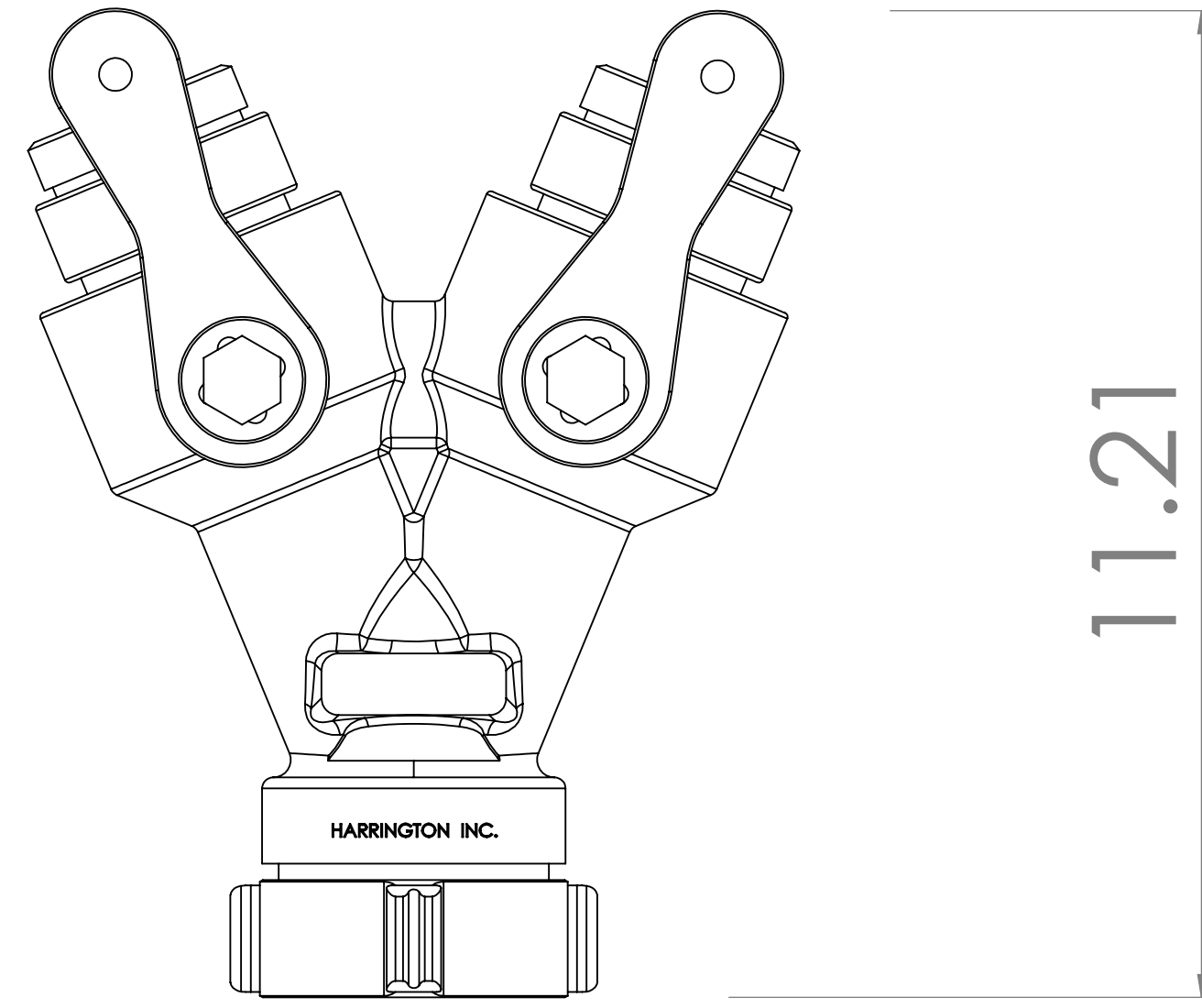
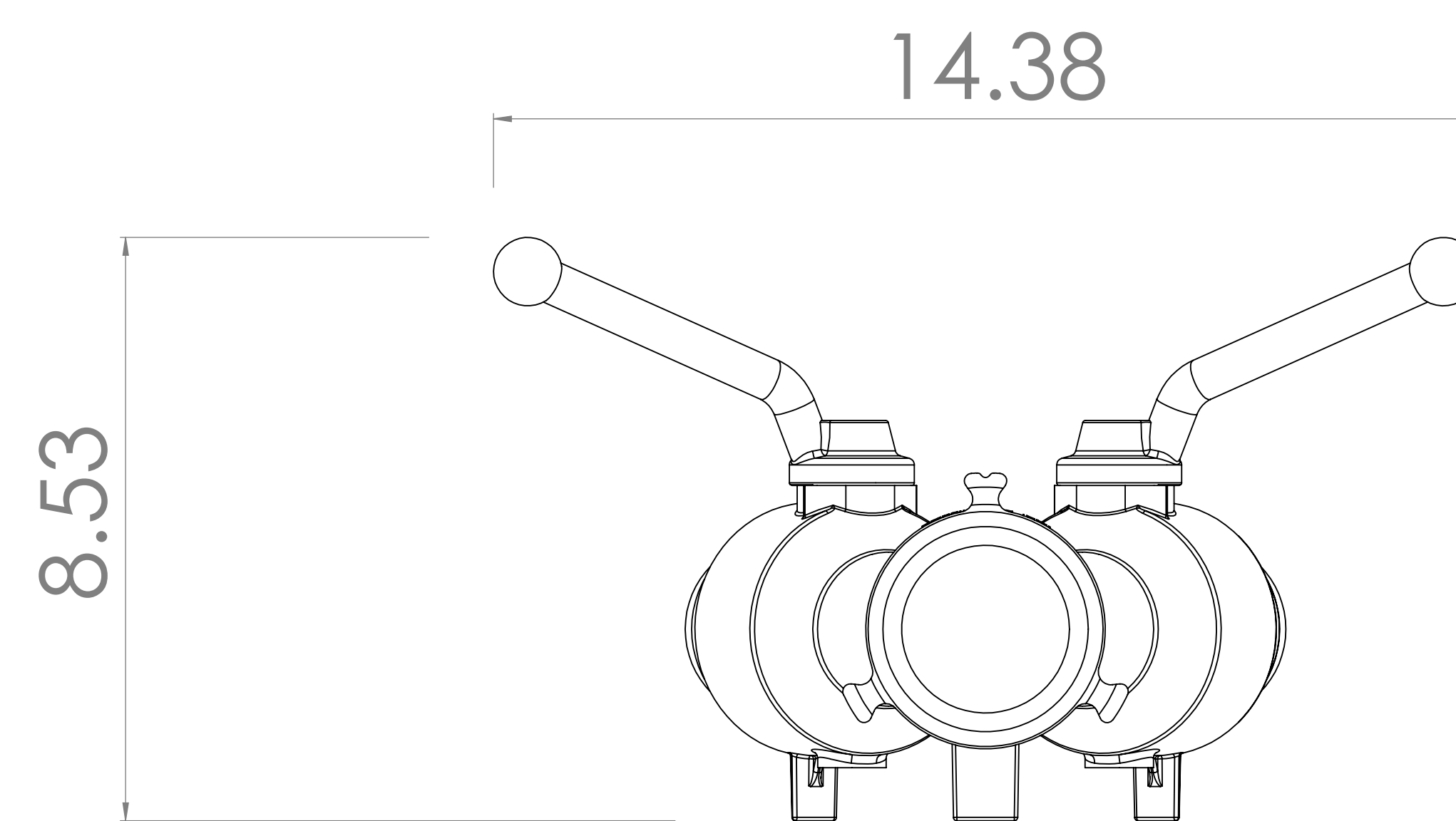
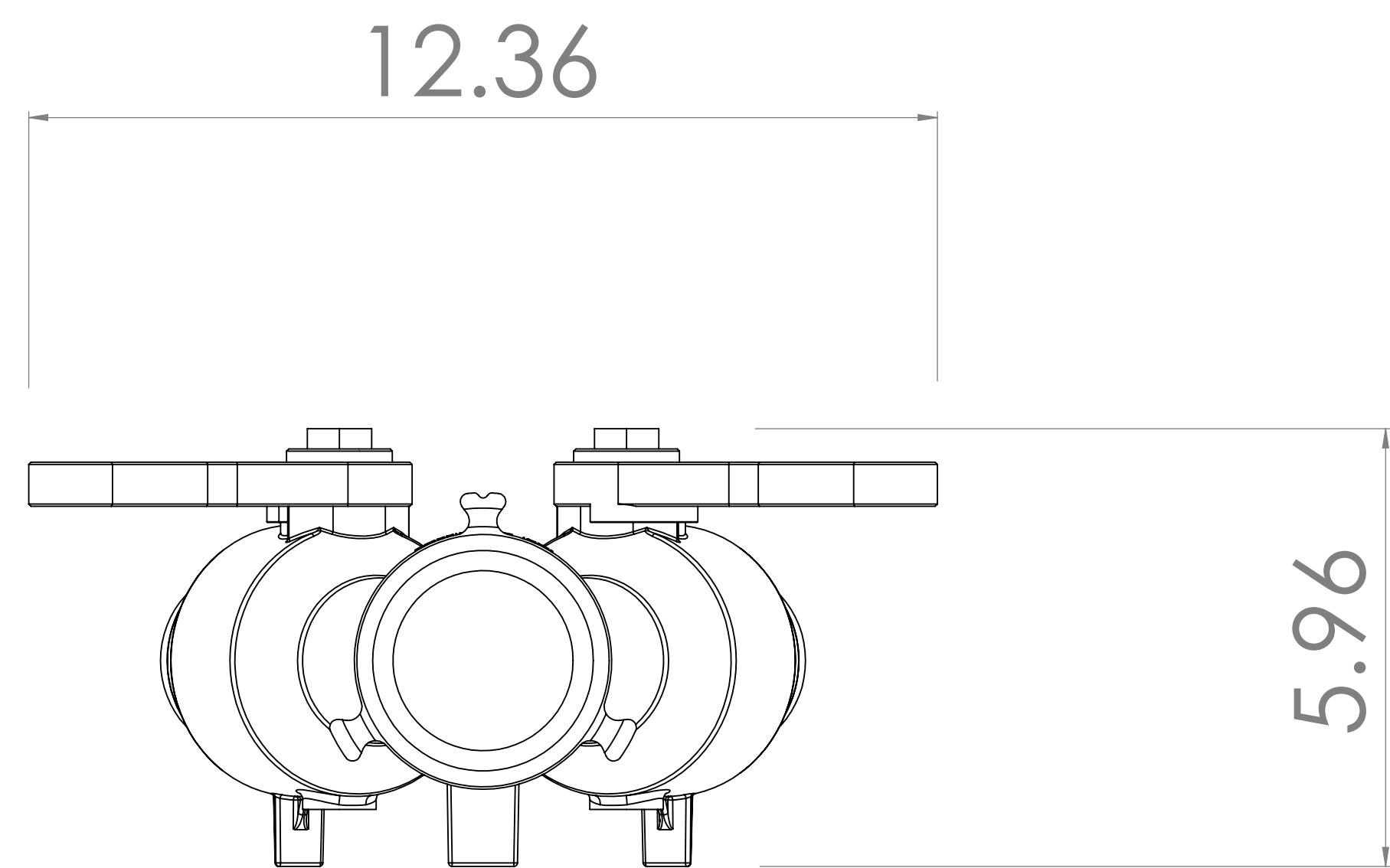
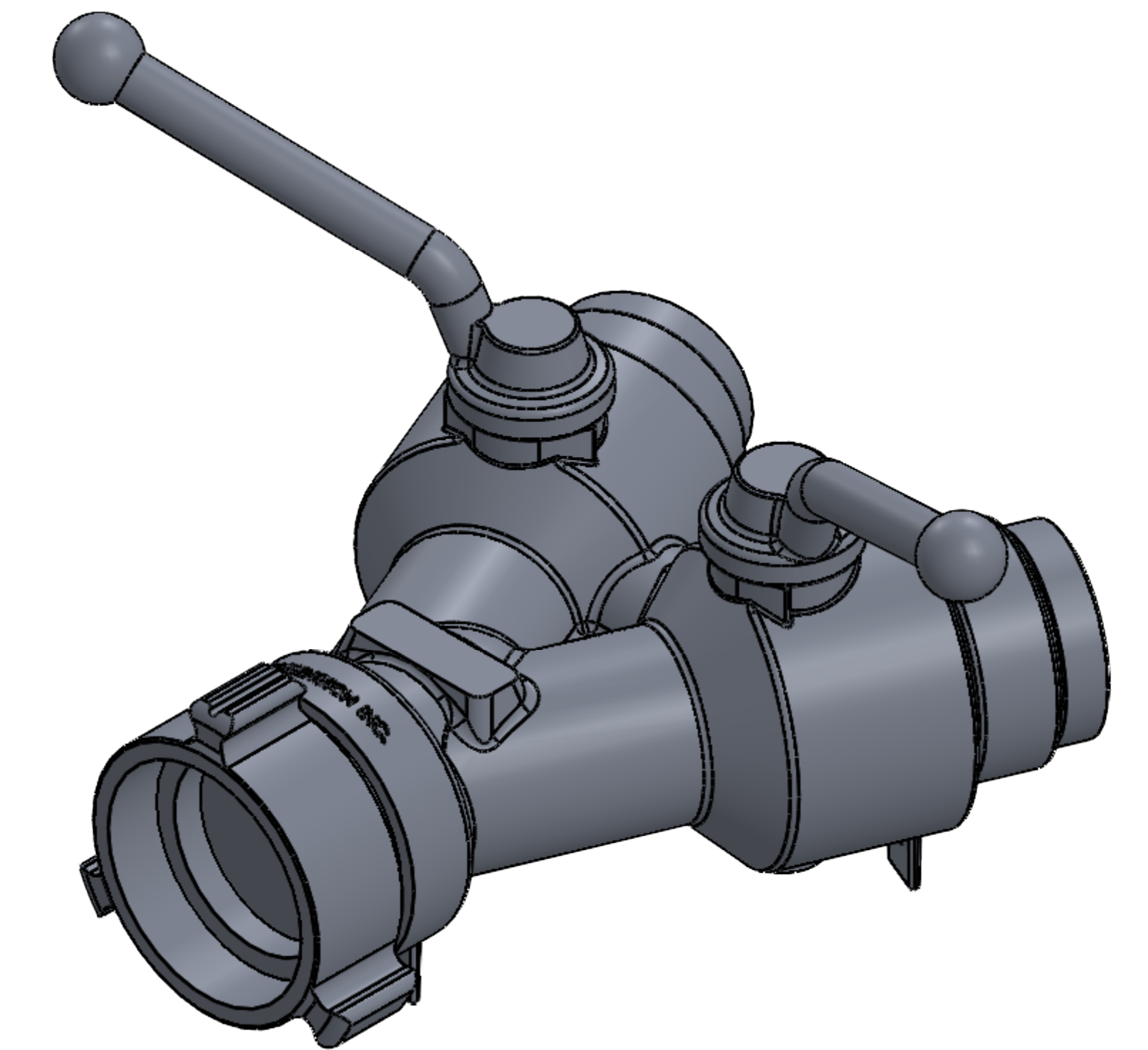
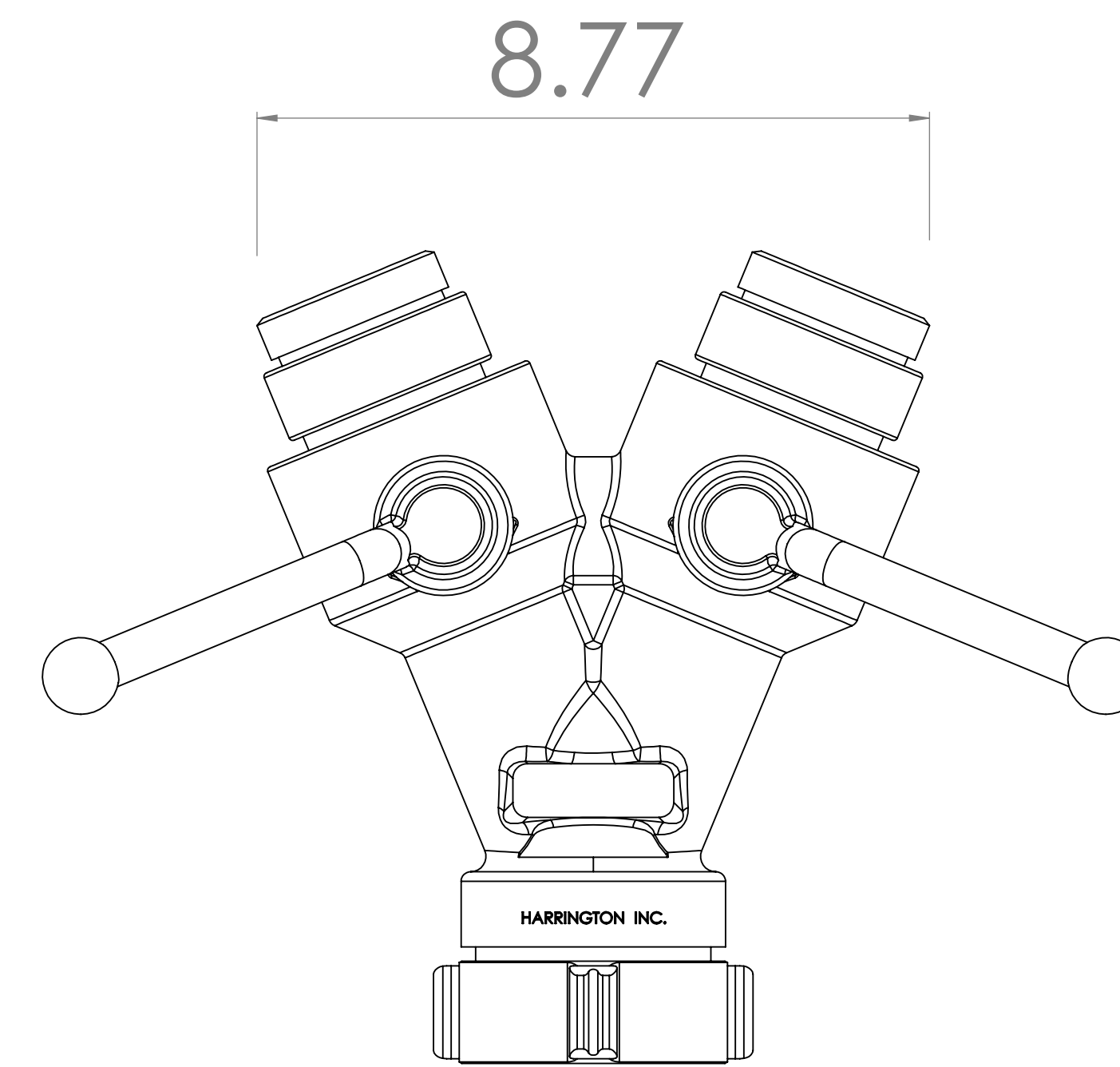
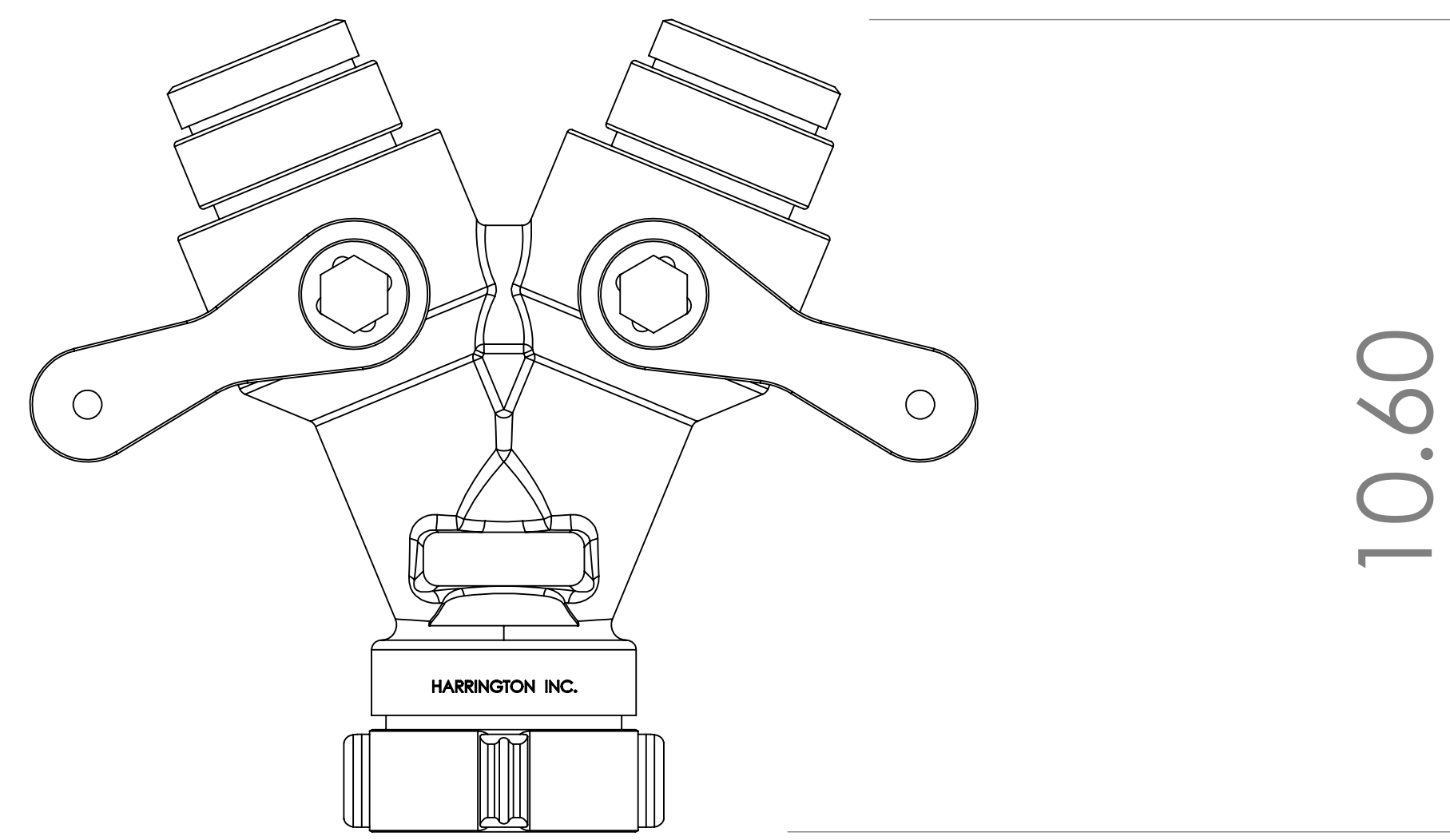
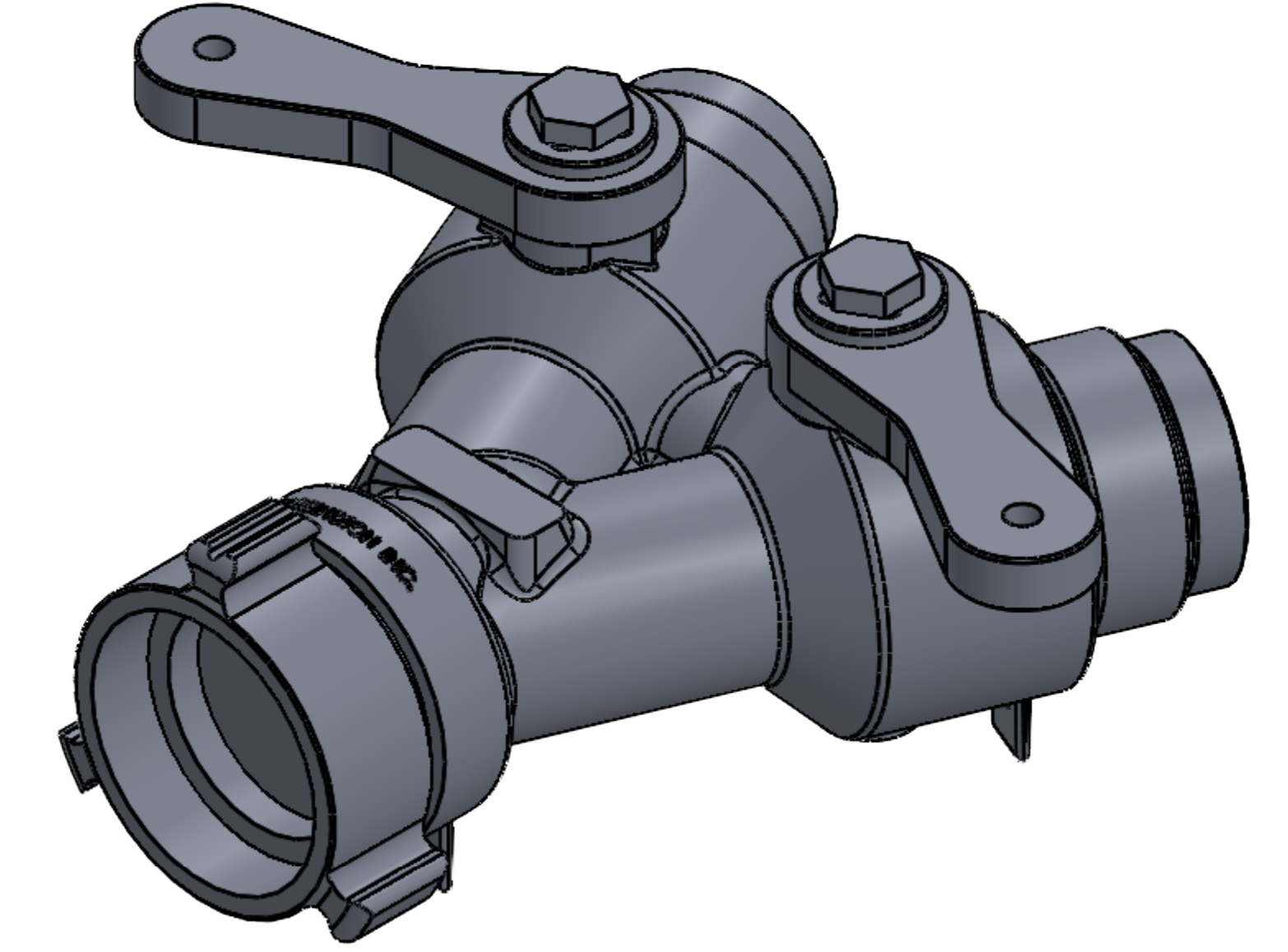
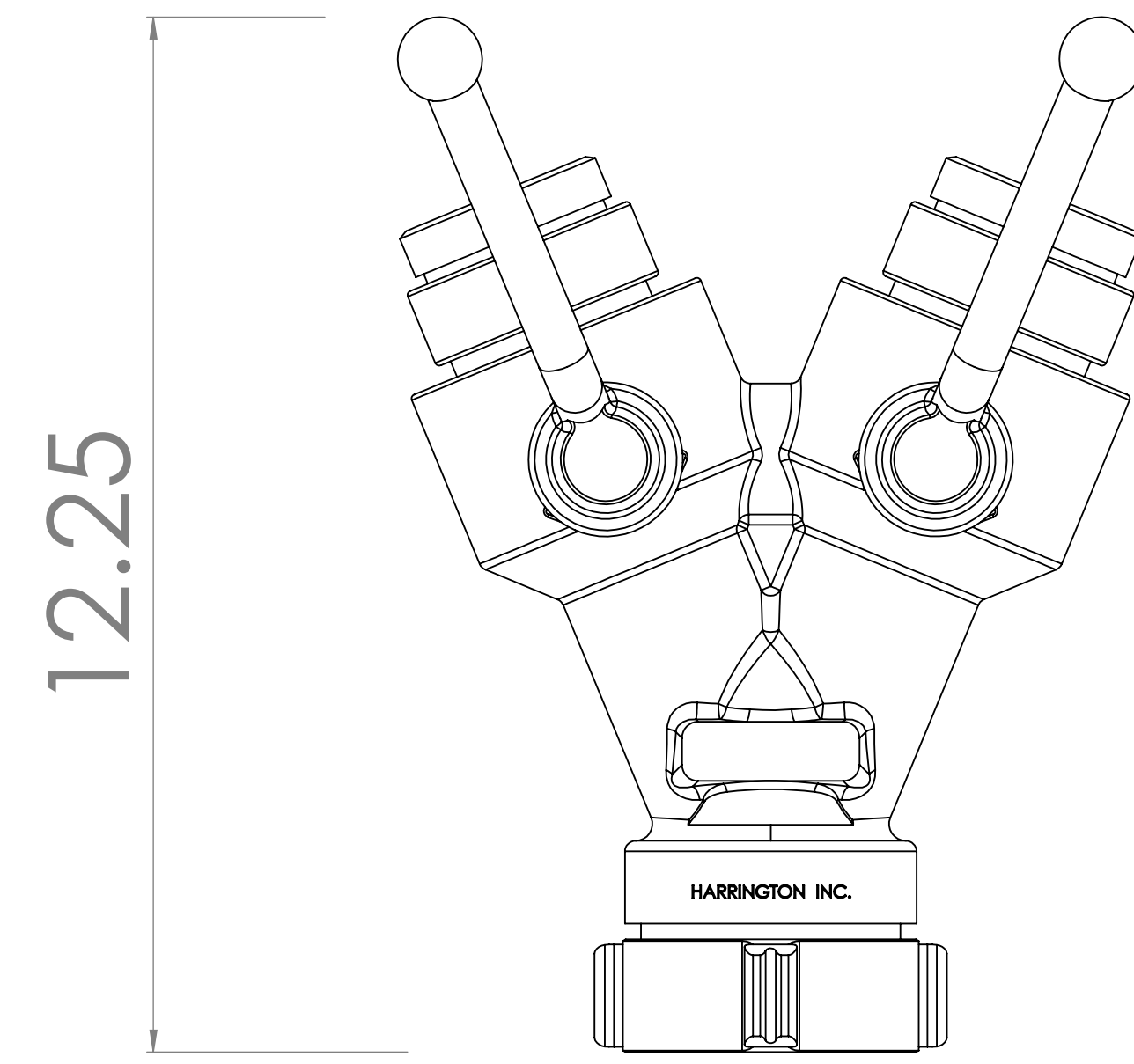


**H201  
SHOWN WITH  
HIGH RISE HANDLES**



**H201  
SHOWN WITH  
STANDARD HANDLES**



**Harrington**  
**STORZ CONNECT**

NAME	DATE
E-man	10/17/2023

DO NOT SCALE DRAWING	REVISION
HARRINGTON INC. 1-800-553-0078 2630 W 21st, ERIE, PA 16506	
TITLE: <b>H201 VALVES                  STANDARD AND HIGH RISE HANDLES</b>	
DWG NO.	A0
H201-	
SCALE:1:1	SHEET 1 OF 1