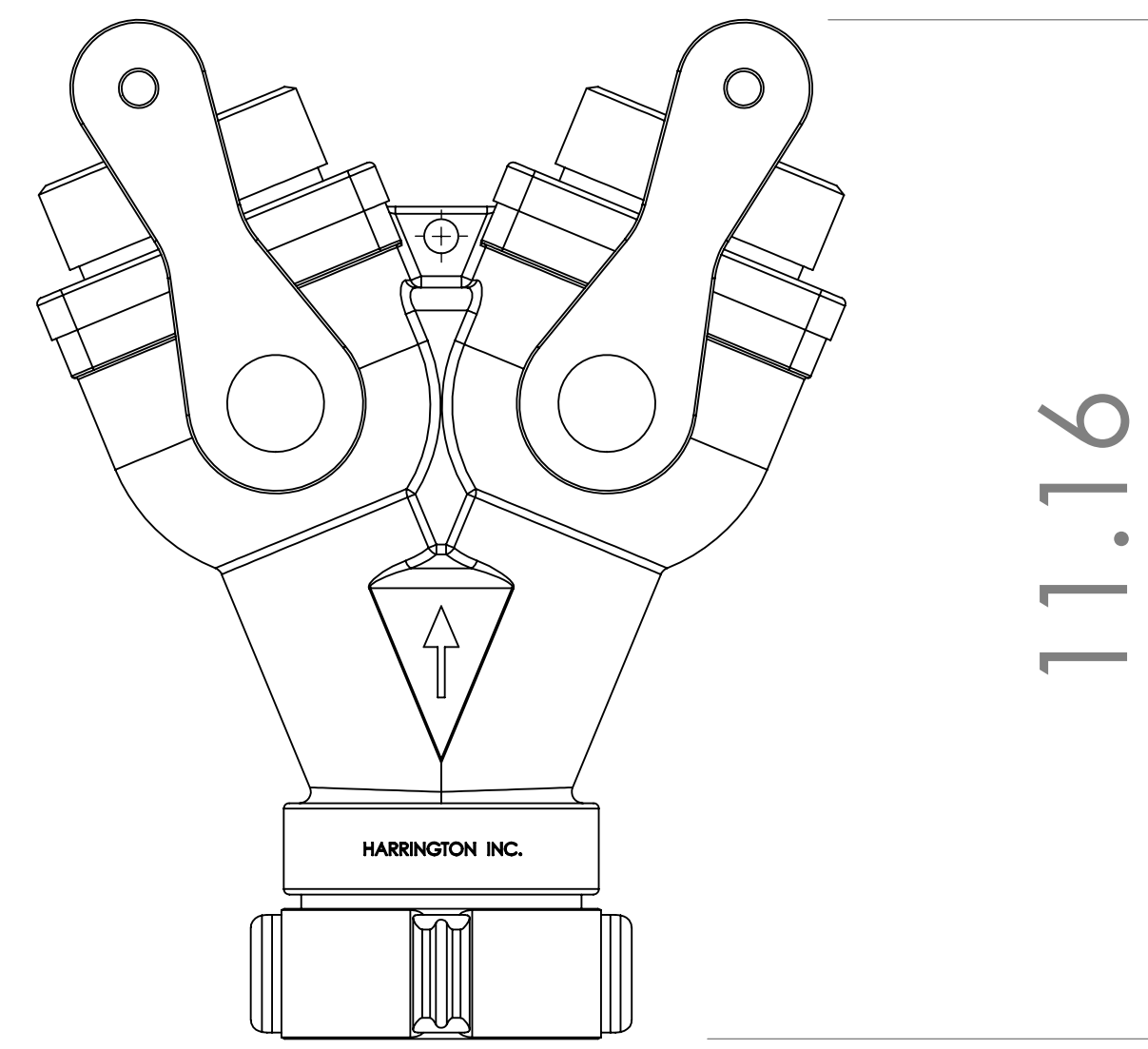
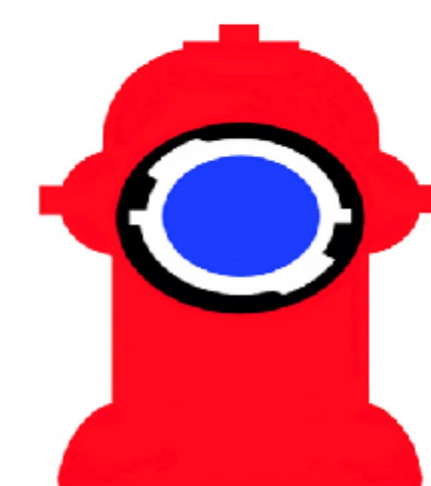
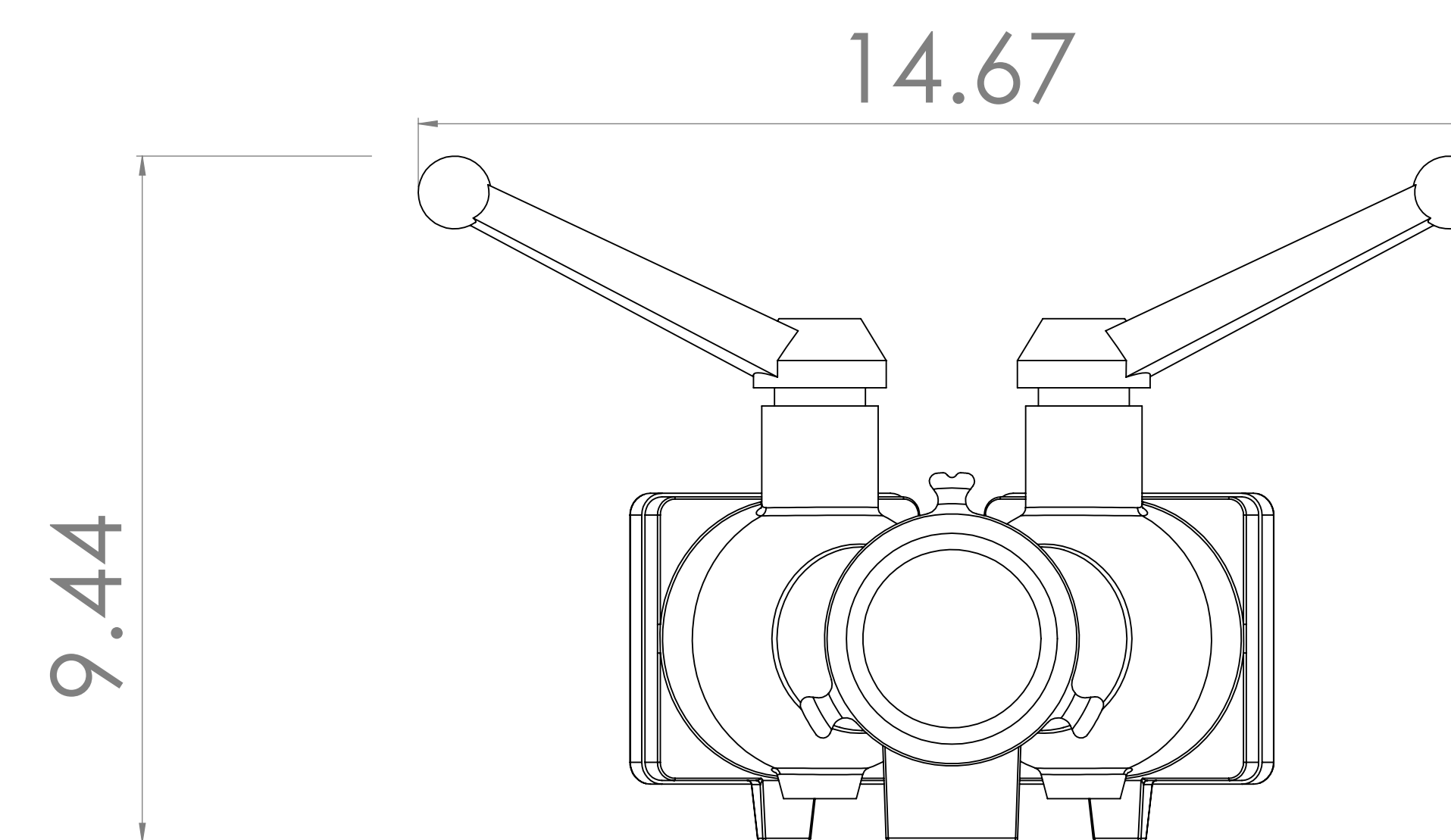
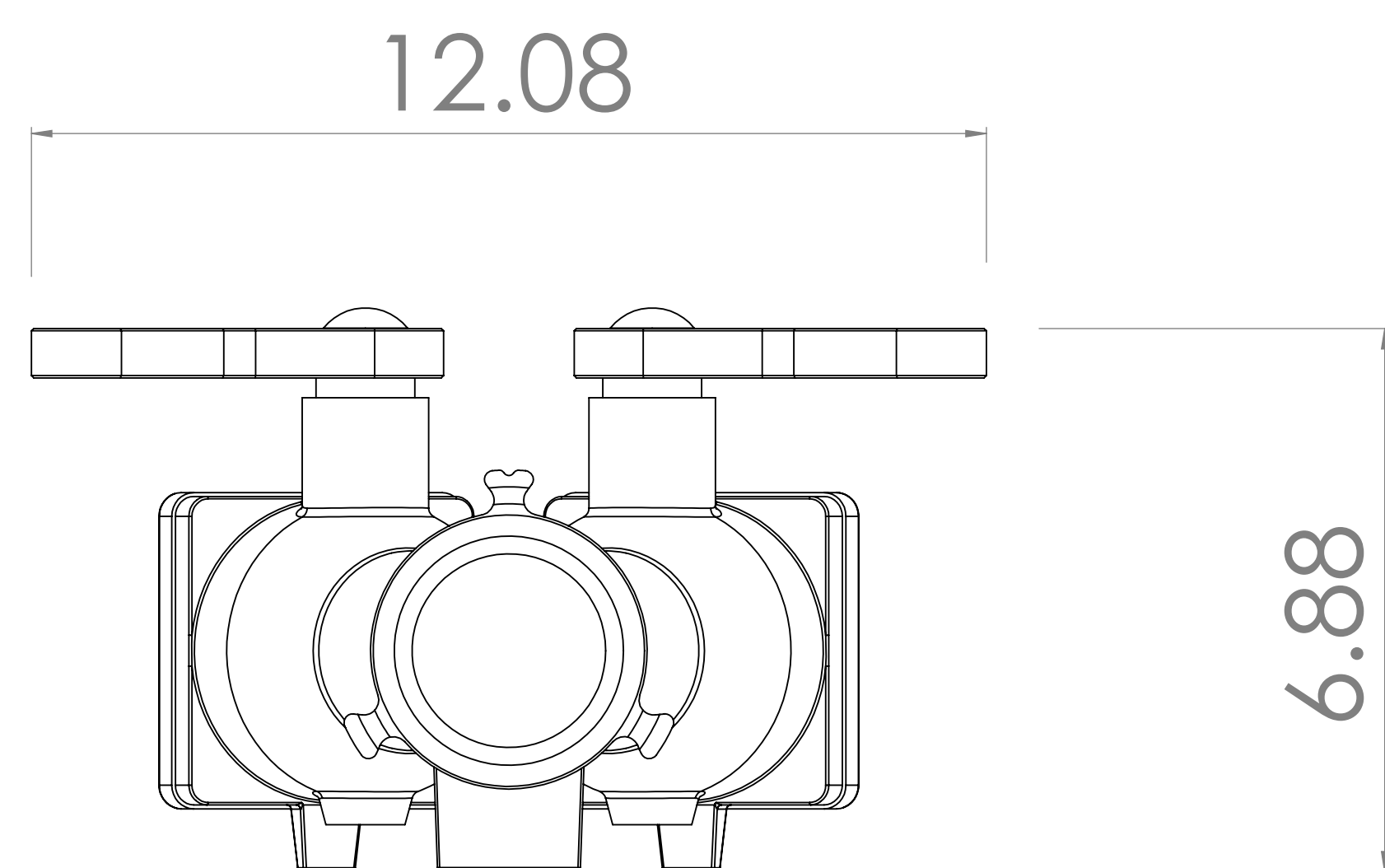
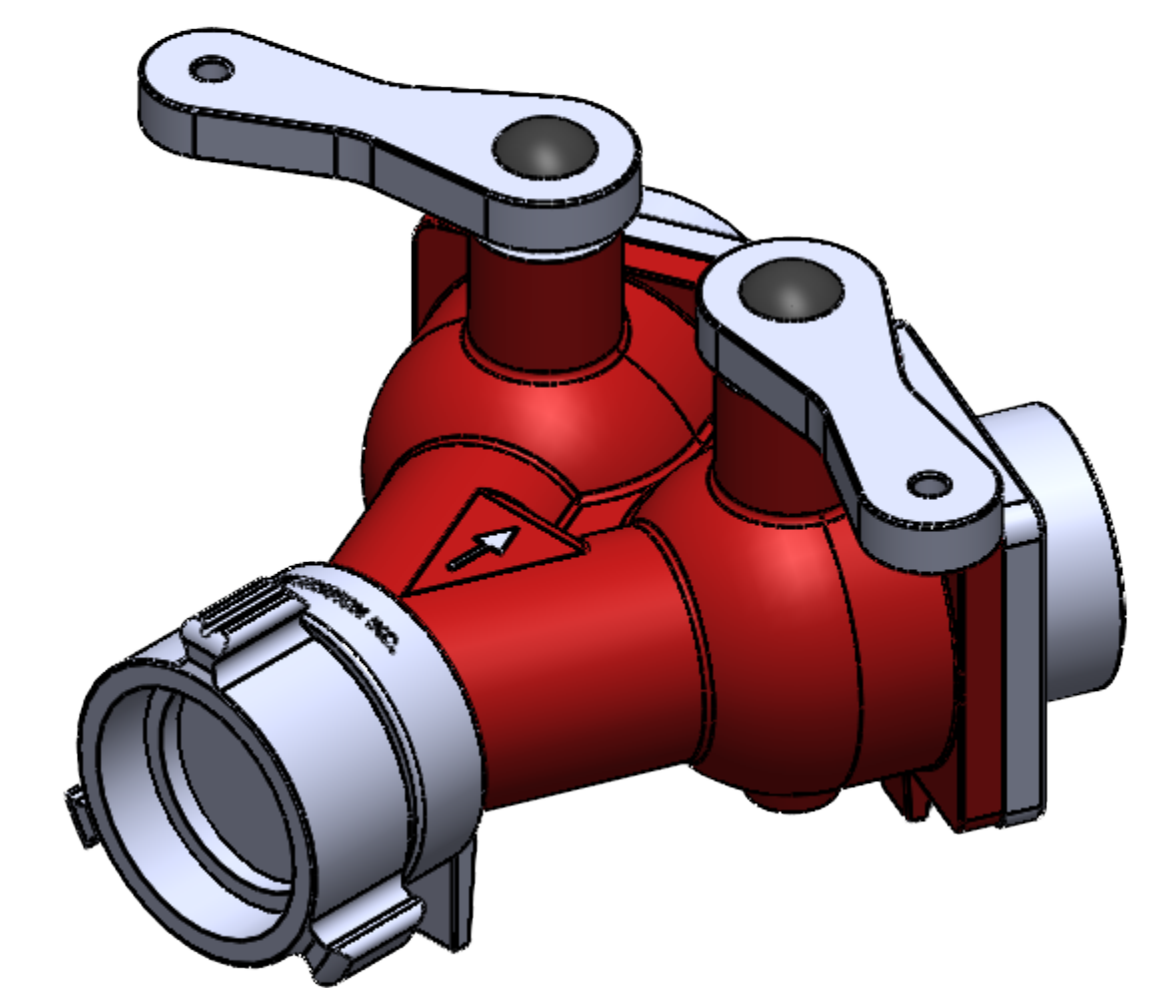
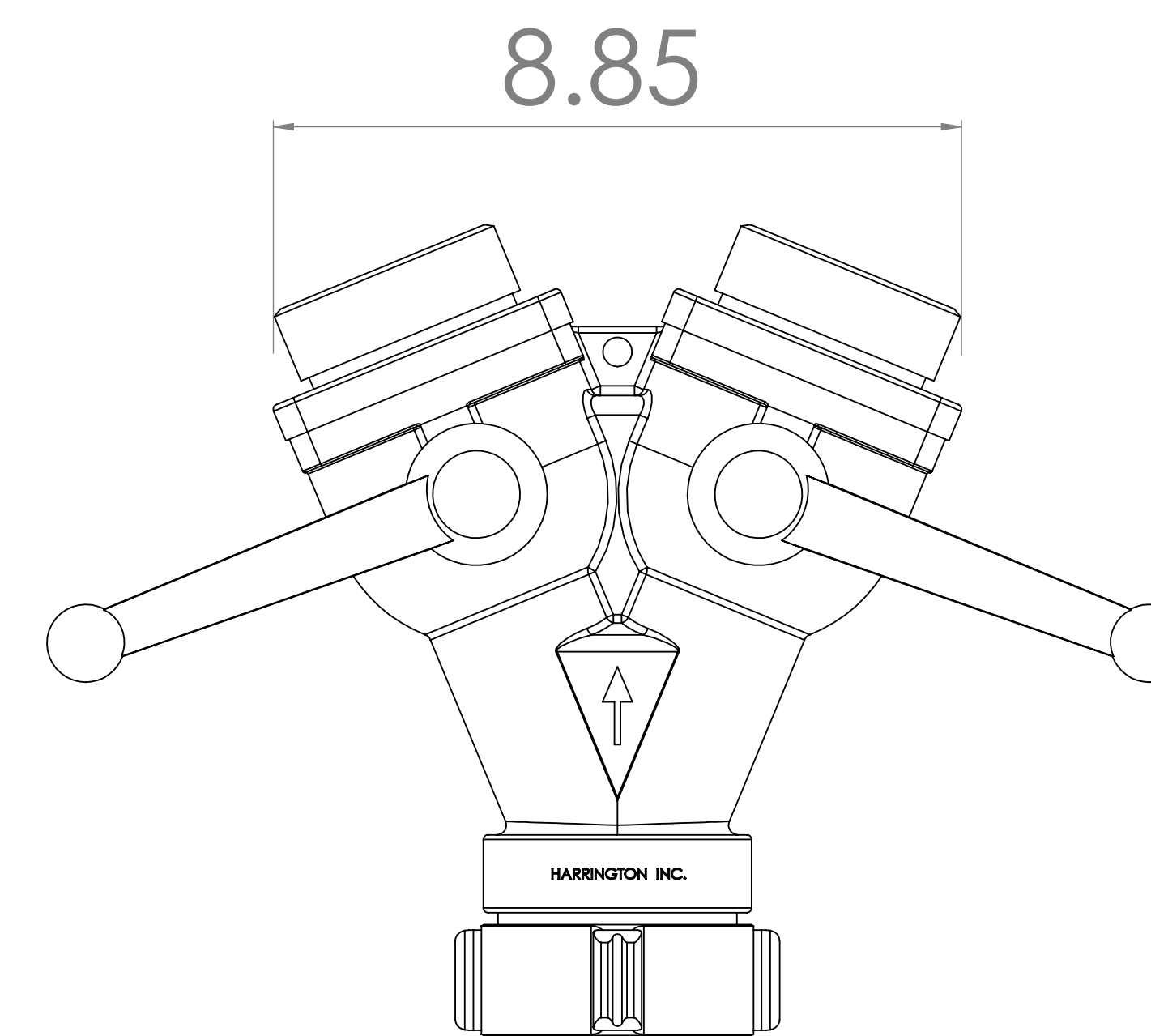
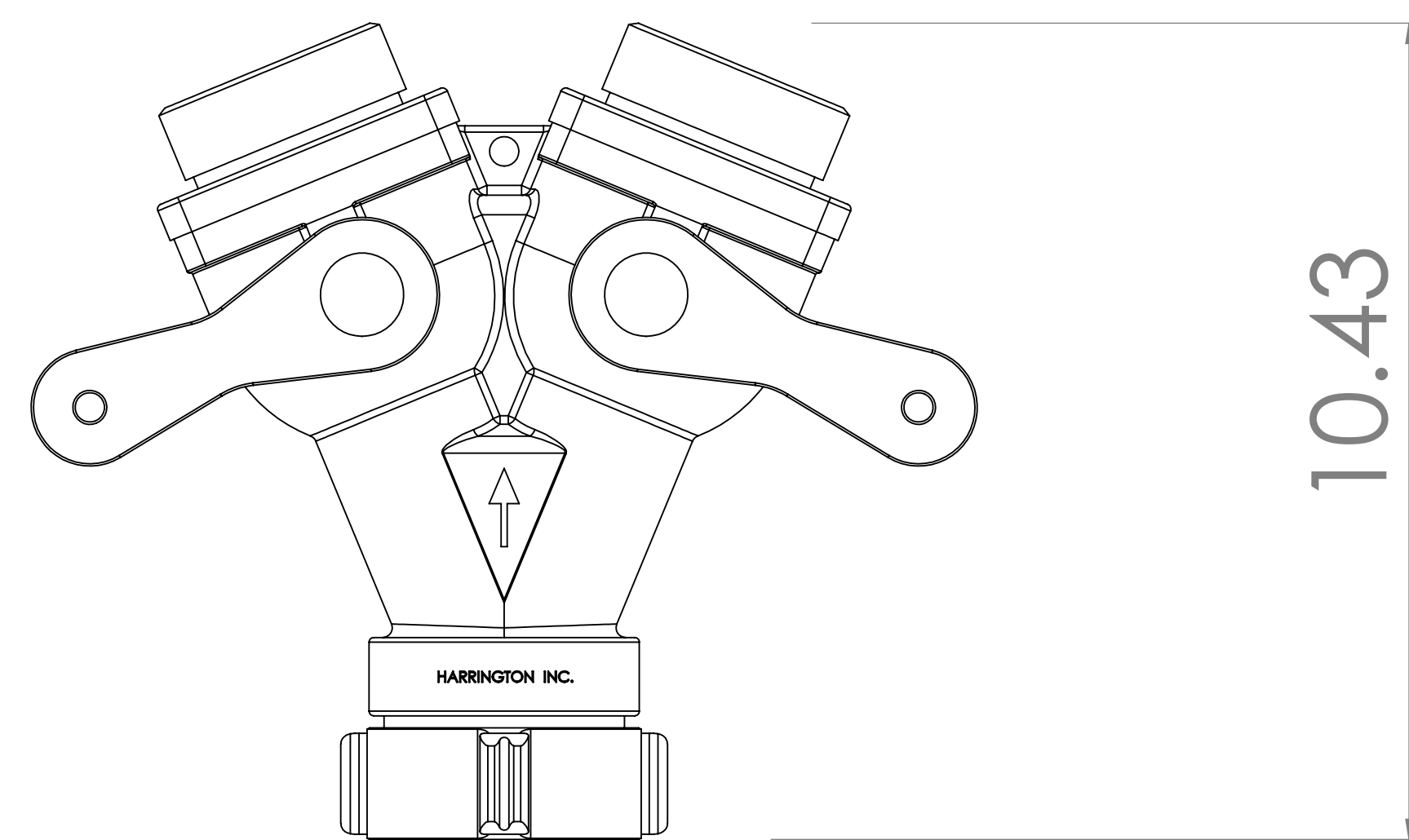
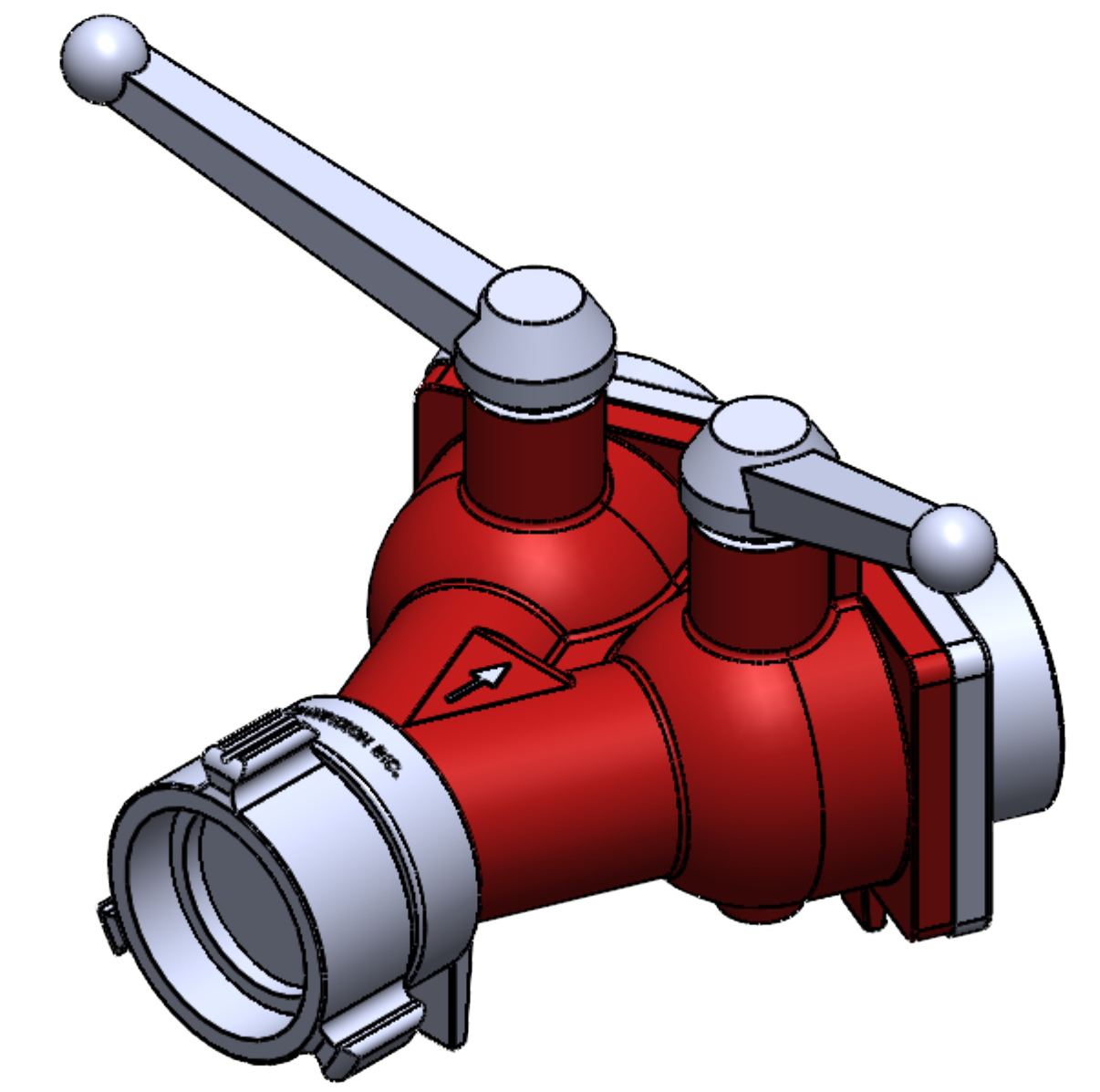
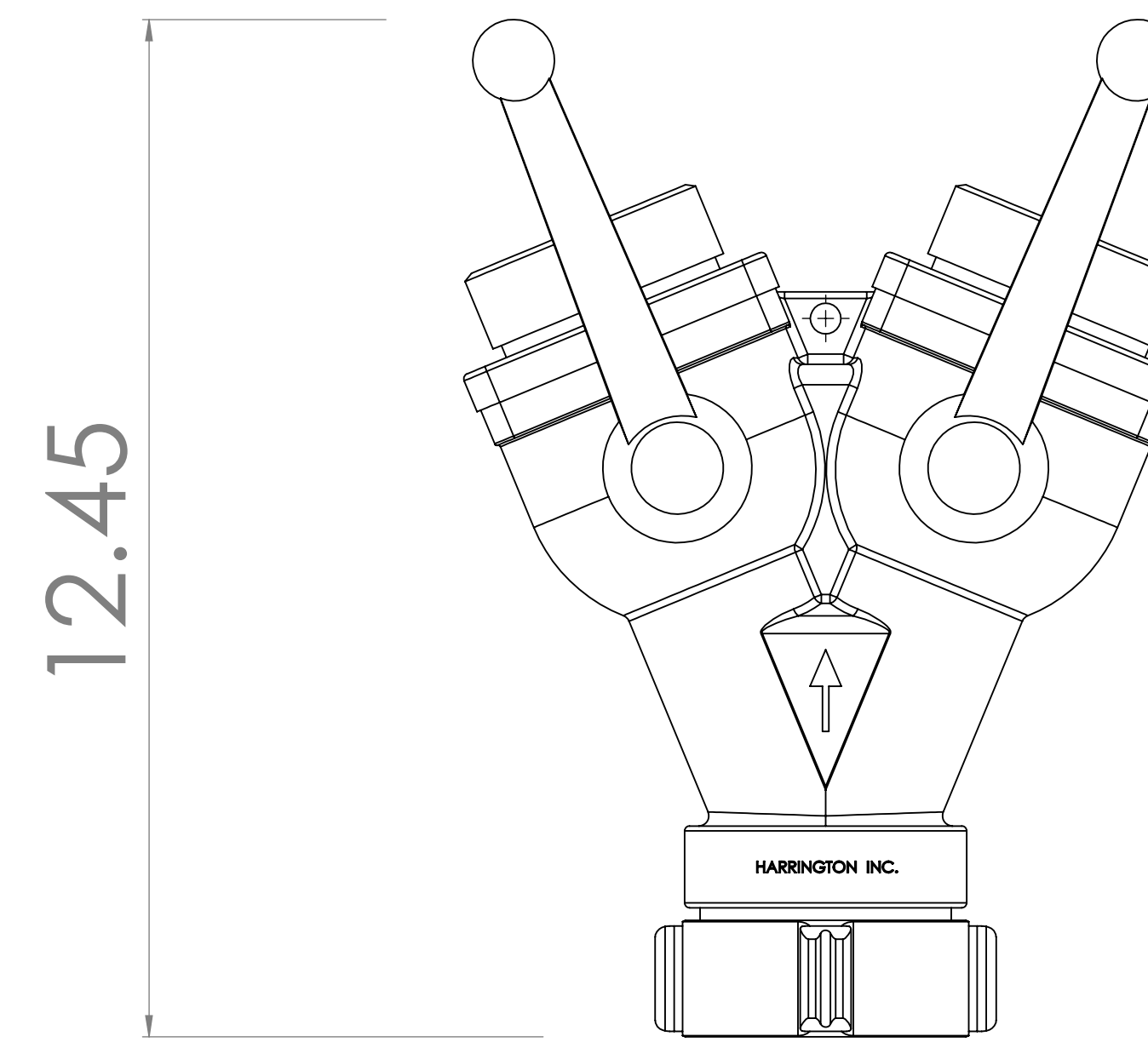


**H202
SHOWN WITH
HIGH RISE HANDLES**



**H202
SHOWN WITH
STANDARD HANDLES**



Harrington
STORZ CONNECT

DO NOT SCALE DRAWING		REVISION
HARRINGTON INC. 1-800-553-0078 2630 W 21st, ERIE, PA 16506		
TITLE: H202 VALVES STANDARD & HIGH RISE HANDLES		
DWG NO.	H202-	A0
SCALE:	1:1	SHEET 1 OF 1

NAME	DATE
E-man	10/10/2023